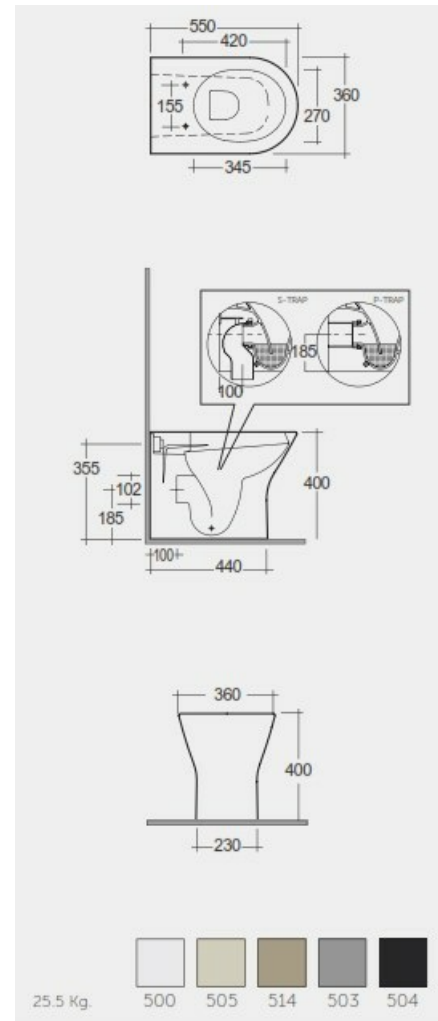


RAK-FEELING - RST19500A - MATT WHITE

Back to Wall | Water Closet

RAK
CERAMICS



Technical specifications

Dimensions:	550 x 360 mm
Weight:	25.5 Kg
Color:	MATT WHITE - 500
Trap type:	P Trap & S Trap
Trapway type:	Concealed
Seat cover options:	Urea
Bowl shape:	Compact Oval
Soft close:	yes
Suites:	RAK-FEELING WC'S & BIDETS

Code	Name
RST19500A	RAK-FEELING RIMLESS BACK TO WALL WATER CLOSET 55 CM P-TRAP & S-TRAP MATT WHITE
RSTSC3901514	RAK-Feeling Urea Seat Cover

Dimensions: All dimensions in mm. Tolerance of vitreous china & fireclay items: $\pm 5\%$ for below 200mm and $\pm 3\%$ for above 200mm; for all other items tolerance $\pm 1\%$. Note: Due to a continuing development program to improve design and performance, the manufacturer reserves all rights to vary specifications without prior information. Please note accessories are for photographic use only.