

SPECIFICATION SHEET

COLLECTION: LIFE

PRODUCT CODE: LIF-200/CC-CP



DESCRIPTION:

slimline mono basin mixer
single lever
deck mounted
smooth bodied
with universal basin waste
with directional water flow aerator
ceramic cartridge C010-N25
2 x 1/2" x 400mm flexipipe connections
deck mount drill hole diameter 35mm
minimum operating pressure 1.0 bar MP

FINISH:

Chrome

FLOW REGULATOR:

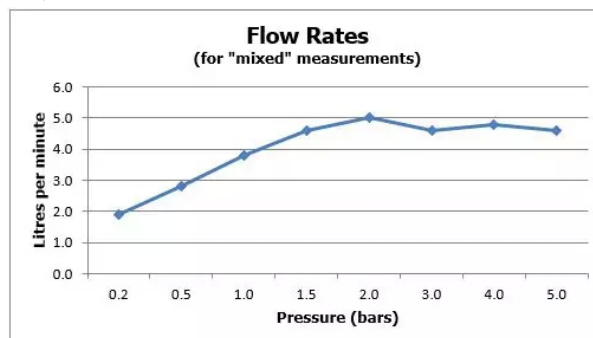
FR-100/5-PLA

MINIMUM OPERATING PRESSURE:

1.0 bar MP

FLOW RATE AT 3.0 BAR FLOW PRESSURE:

4.6 l/m



tel: 01934 744466
email: sales@vado.com
www.vado.com

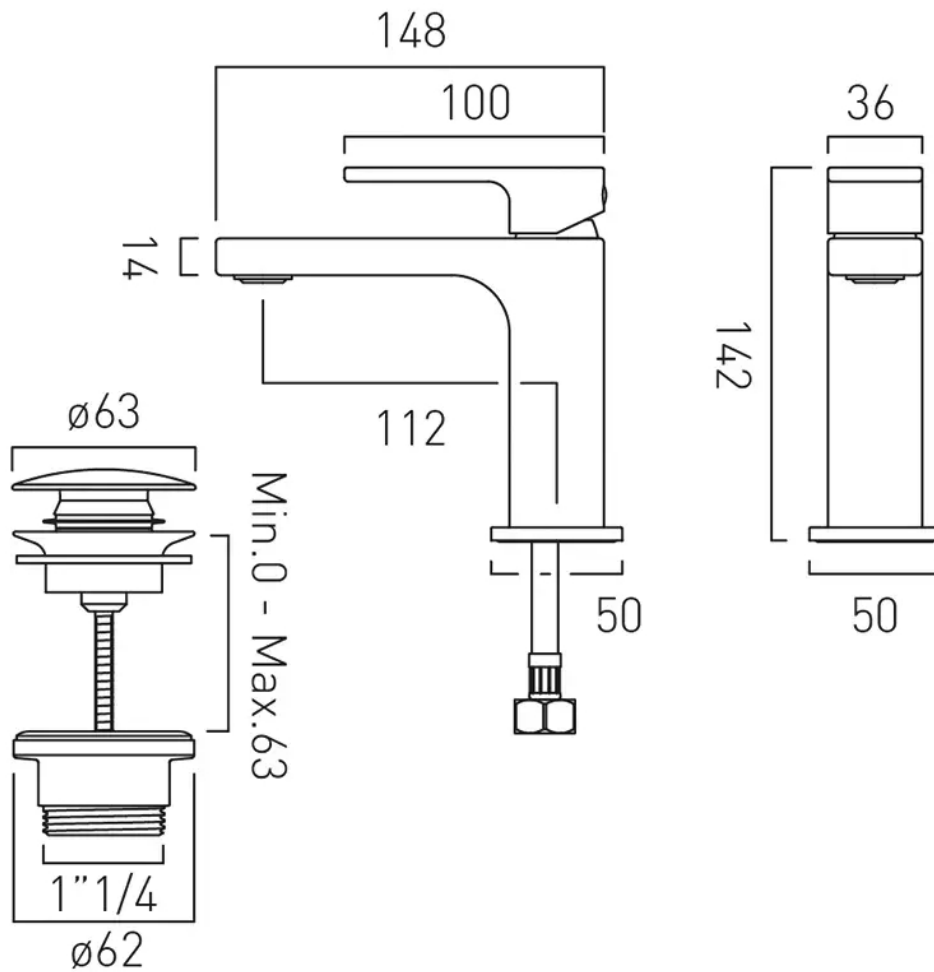
where inspiration flows
taps | showering | accessories



TECHNICAL DRAWING

COLLECTION: LIFE

PRODUCT CODE: LIF-200/CC-CP



tel: 01934 744466
email: sales@vado.com
www.vado.com

where inspiration flows
taps | showering | accessories

