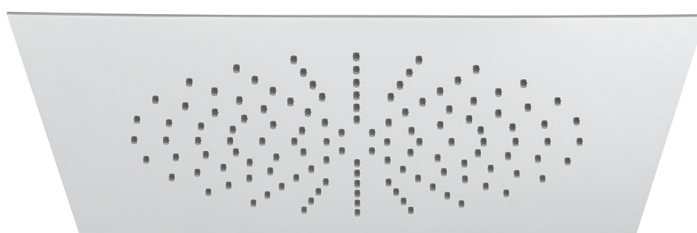


---

# SPECIFICATION SHEET

**COLLECTION:**

**PRODUCT CODE:** SKY-SQ35-CP



**FINISH:**

Chrome

**MINIMUM OPERATING PRESSURE:**

1.0 bar MP



tel: 01934 744466  
email: [sales@vado.com](mailto:sales@vado.com)  
[www.vado.com](http://www.vado.com)

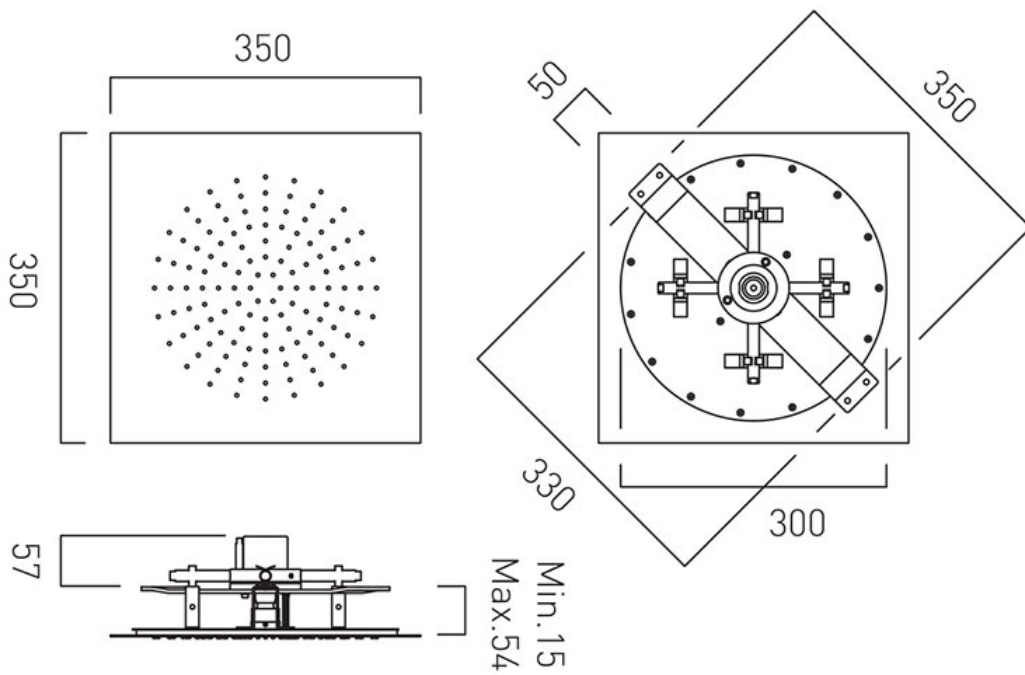
**where inspiration flows**  
taps | showering | accessories



# TECHNICAL DRAWING

COLLECTION:

PRODUCT CODE: SKY-SQ35-CP



tel: 01934 744466  
email: sales@vado.com  
www.vado.com

**where inspiration flows**  
taps | showering | accessories

