

SPECIFICATION SHEET

COLLECTION:

PRODUCT CODE: GEOM-250R0-SA-SS



DESCRIPTION:

inc. 9 litres per minute (FR-106/9-PLA) flow reg. fitted as standard
1/2" BSP male threaded inlet
easy clean nozzles
polished stainless steel with brushed edges

FINISH:

Chrome

MINIMUM OPERATING PRESSURE:

1.0 bar MP



tel: 01934 744466
email: sales@vado.com
www.vado.com

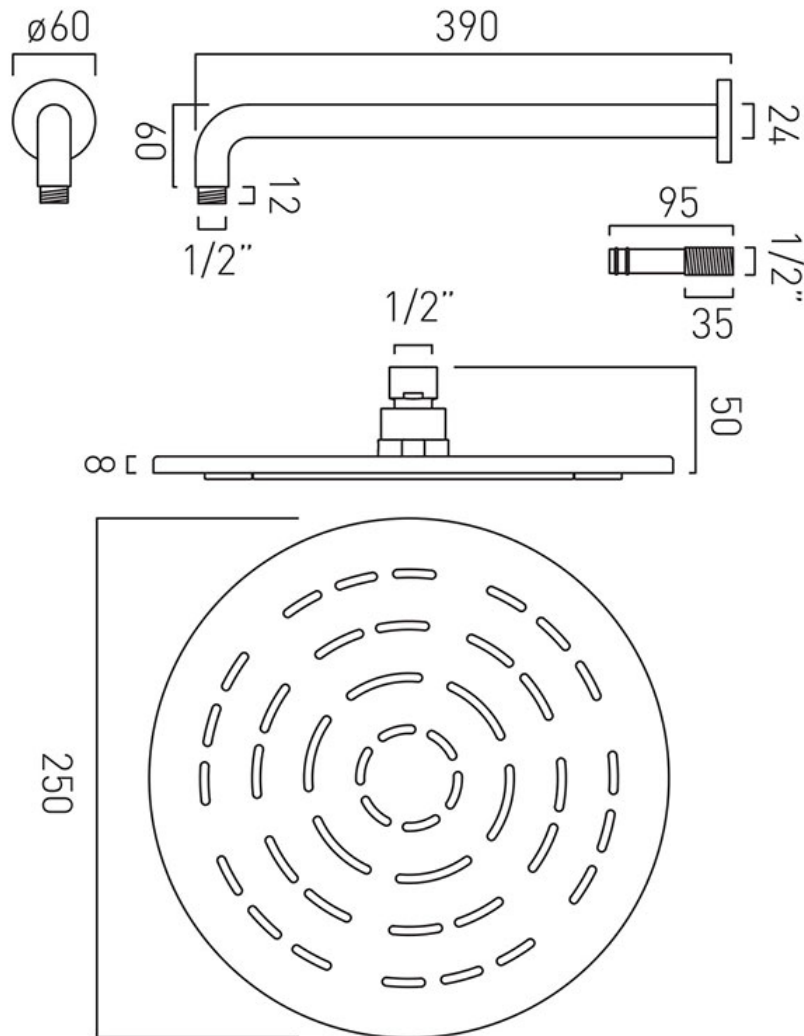
where inspiration flows
taps | showering | accessories



TECHNICAL DRAWING

COLLECTION:

PRODUCT CODE: GEOM-250R0-SA-SS



tel: 01934 744466
email: sales@vado.com
www.vado.com

where inspiration flows
taps | showering | accessories

