

SPECIFICATION SHEET

COLLECTION: LIFE
PRODUCT CODE: LIF-131T-CP



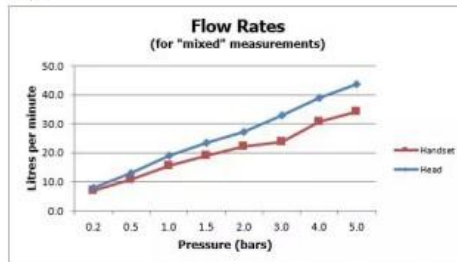
DESCRIPTION:
2 hole exposed thermostatic bath shower mixer
deck mounted
with water flow straightener
thermostatic cartridge V-001E-PLA
3/4" x 50mm threaded connection on legs
deck mount drill hole diameter 28mm
minimum operating pressure 1.0 bar MP

FINISH:
Chrome

FLOW REGULATOR:
FR-SHOWER/9-C/P

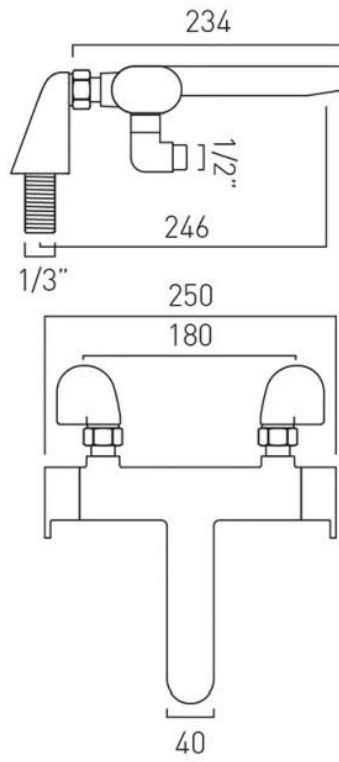
MINIMUM OPERATING PRESSURE:
1.0 bar MP

FLOW RATE AT 3.0 BAR FLOW PRESSURE:
33 l/m



TECHNICAL DRAWING

COLLECTION: LIFE
PRODUCT CODE: LIF-131T-CP



SPECIFICATION SHEET

COLLECTION: LIFE

PRODUCT CODE: LIF-131T+K-CP



DESCRIPTION:

2 hole exposed thermostatic bath shower mixer
deck mounted
with water flow straightener
with Life single function shower kit
thermostatic cartridge V-001E-PLA
3/4" x 50mm threaded connection on legs
deck mount drill hole diameter 28mm
minimum operating pressure 1.0 bar MP

FINISH:

Chrome

FLOW REGULATOR:

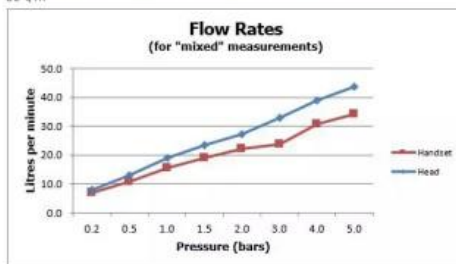
FR-SHOWER/9-C/P

MINIMUM OPERATING PRESSURE:

1.0 bar MP

FLOW RATE AT 3.0 BAR FLOW PRESSURE:

33 l/m



TECHNICAL DRAWING

COLLECTION: LIFE

PRODUCT CODE: LIF-131T+K-CP

