

SPECIFICATION SHEET

COLLECTION: OMIKA

PRODUCT CODE: OMI-SFSRK-C/P



DESCRIPTION:

slide rail shower kit
with single function handset
556mm slide rail
600mm overall rail length
with 150cm shower hose
minimum operating pressure 1.0 bar MP

FINISH:

Chrome

FLOW REGULATOR:

Optional (FR-FLEXI/8-PLA)

MINIMUM OPERATING PRESSURE:

1.0 bar MP

FLOW RATE AT 3.0 BAR FLOW PRESSURE:

13 l/min



tel: 01934 744466
email: sales@vado.com
www.vado.com

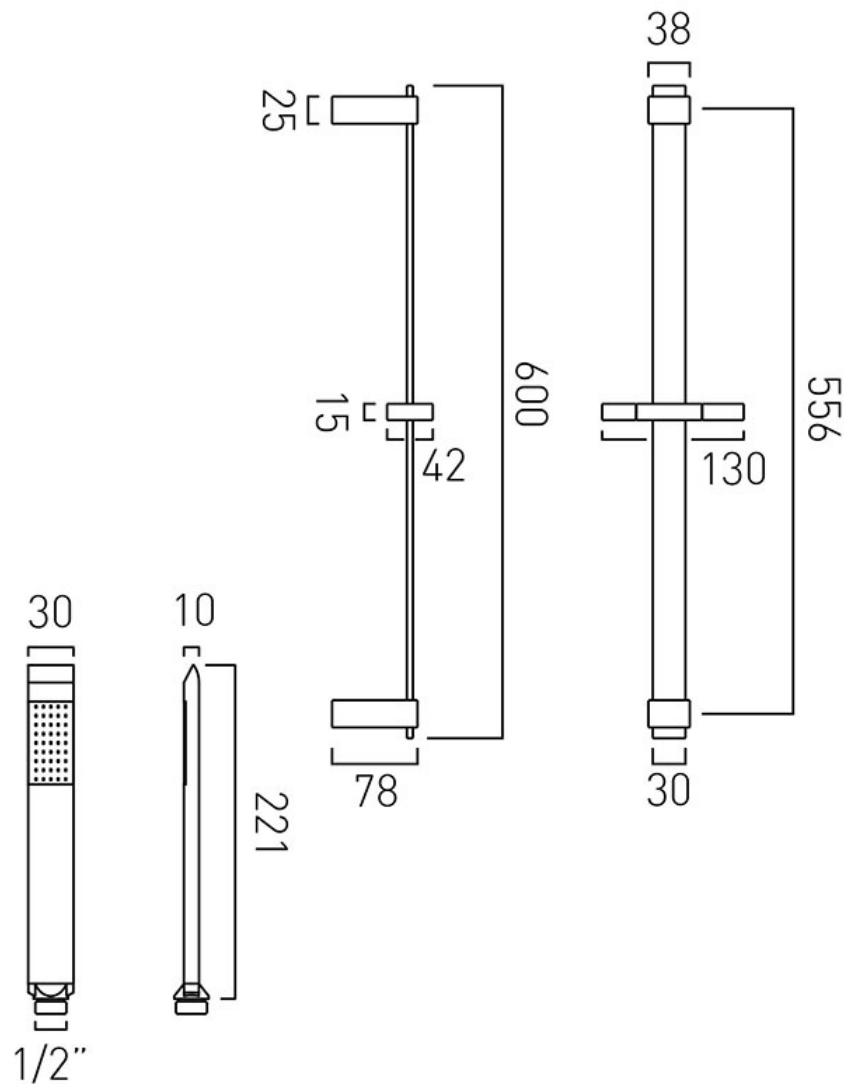
where inspiration flows
taps | showering | accessories



TECHNICAL DRAWING

COLLECTION: OMIKA

PRODUCT CODE: OMI-SFSRK-C/P



tel: 01934 744466
email: sales@vado.com
www.vado.com

where inspiration flows
taps | showering | accessories

