

# SPECIFICATION SHEET

**COLLECTION:** OMIKA

**PRODUCT CODE:** OMI-SFMKWO/A-CP



**DESCRIPTION:**

single function mini shower kit  
wall mounted  
with 150cm shower hose  
and bracket with integrated outlet  
1/2" inlet  
35mm adjustable thread,  
0-11mm wall mount tolerance  
minimum operating pressure 1.0 bar MP

**FINISH:**

Chrome

**FLOW REGULATOR:**

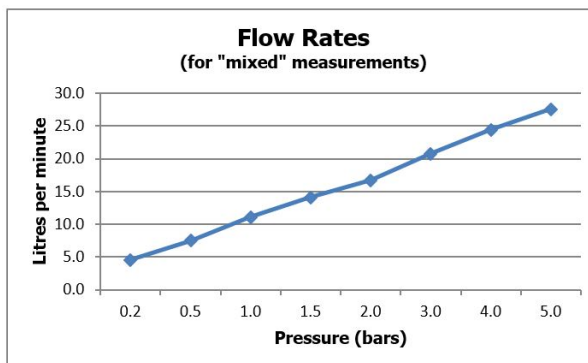
FR-FLEXI/8-PLA (Optional)

**MINIMUM OPERATING PRESSURE:**

1.0 bar MP

**FLOW RATE AT 3.0 BAR FLOW PRESSURE:**

21 l/min



tel: 01934 744466  
email: sales@vado.com  
www.vado.com

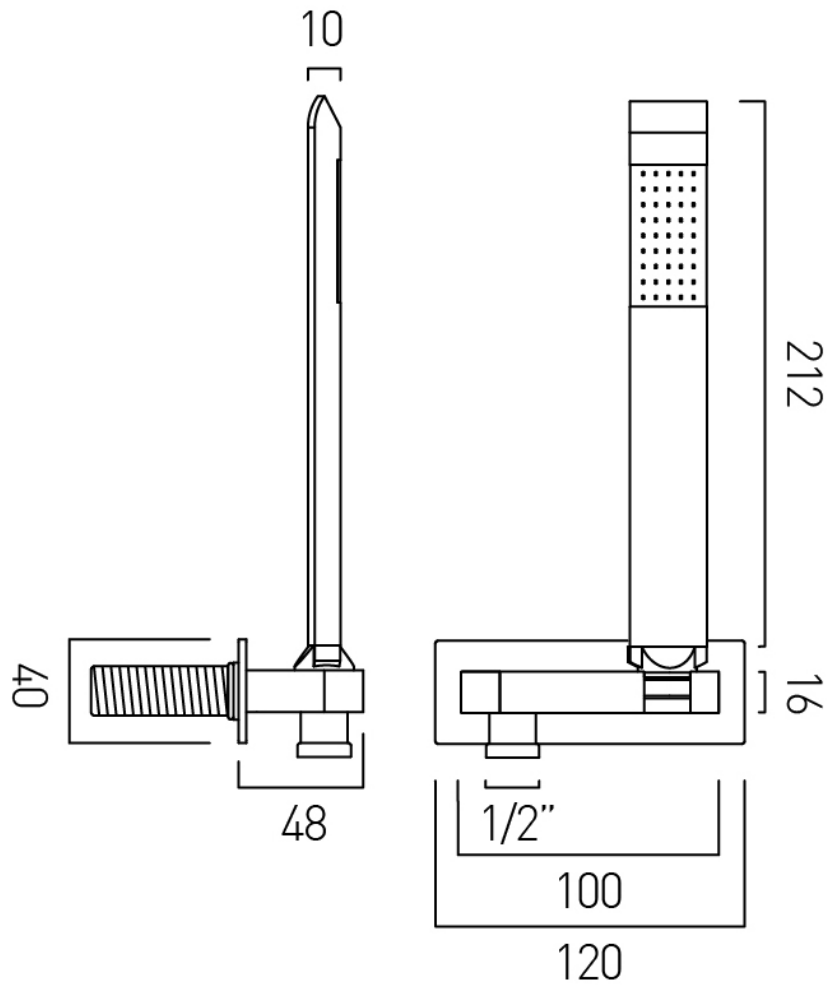
**where inspiration flows**  
taps | showering | accessories



# TECHNICAL DRAWING

**COLLECTION:** OMIKA

**PRODUCT CODE:** OMI-SFMKWO/A-CP



tel: 01934 744466  
email: sales@vado.com  
www.vado.com

**where inspiration flows**  
taps | showering | accessories

