

SPECIFICATION SHEET

COLLECTION: OMIKA

PRODUCT CODE: OMI-109-C/P



DESCRIPTION:

basin mixer
wall mounted
water flow aerator
1/4 turn ceramic disc valves
2 x FL-201-LTC
2 x 1/2" female inlets
min-max wall mount 60-80mm
minimum operating pressure 1.0 bar MP

FINISH:

Chrome

FLOW REGULATOR:

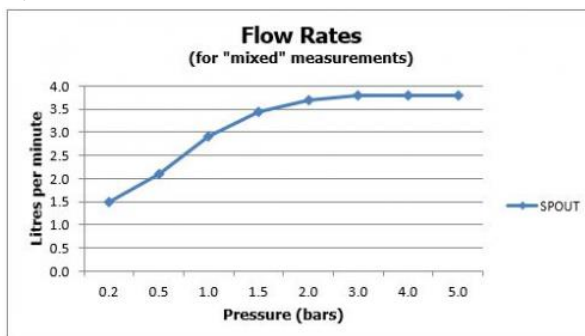
fitted as standard

MINIMUM OPERATING PRESSURE:

1.0 bar MP

FLOW RATE AT 3.0 BAR FLOW PRESSURE:

4 l/min



tel: 01934 744466
email: sales@vado.com
www.vado.com

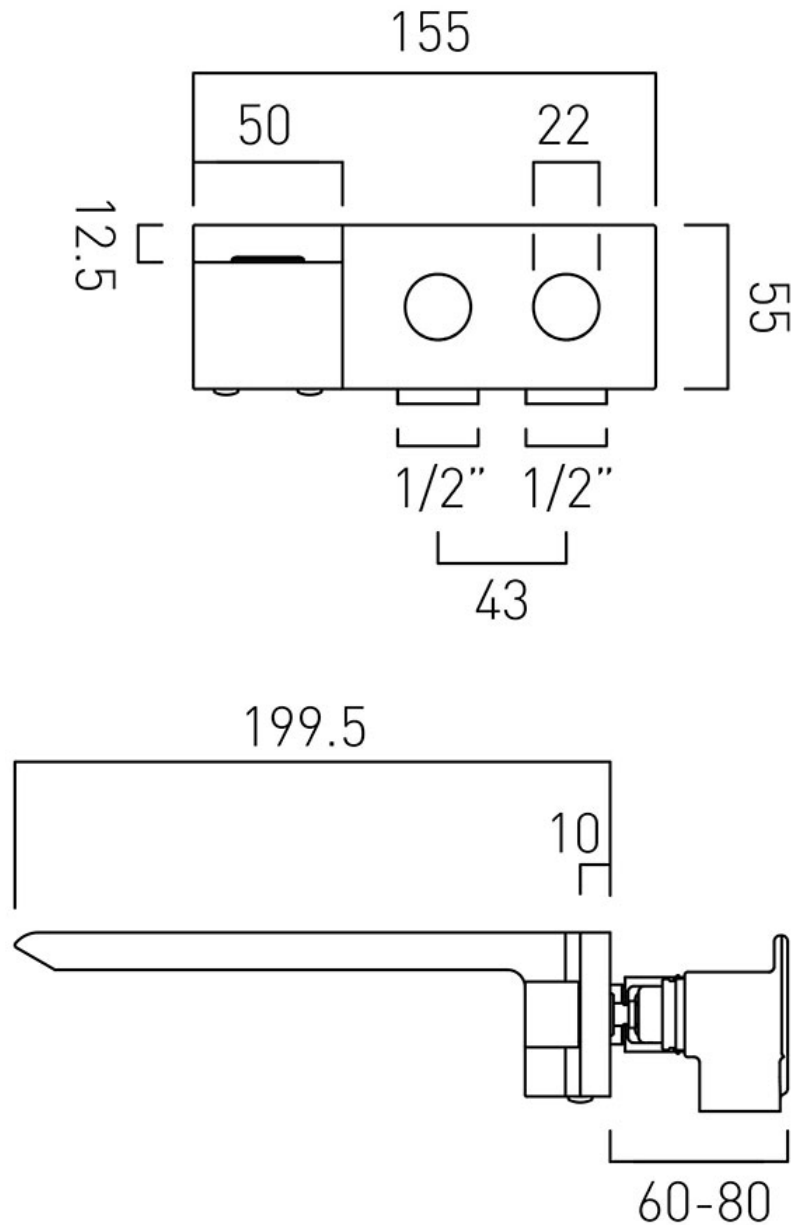
where inspiration flows
taps | showering | accessories



TECHNICAL DRAWING

COLLECTION: OMIKA

PRODUCT CODE: OMI-109-C/P



tel: 01934 744466
email: sales@vado.com
www.vado.com

where inspiration flows
taps | showering | accessories

