

# SPECIFICATION SHEET

**COLLECTION:** OMIKA

**PRODUCT CODE:** OMI-100E/SB-C/P



**DESCRIPTION:**

extended mono basin mixer  
deck mounted  
smooth bodied  
without universal basin waste  
water flow aerator  
1/4 turn ceramic disc valves  
2 x FL-401-RTC  
2 x 1/2" x 400mm flexipipe connections  
deck mount drill hole diameter 35mm  
minimum operating pressure 1.0 bar MP

**FINISH:**

Chrome

**FLOW REGULATOR:**

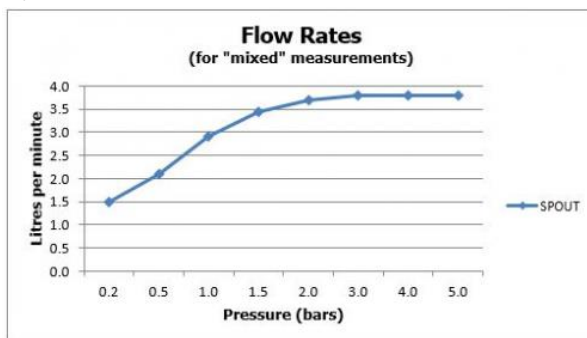
fitted as standard

**MINIMUM OPERATING PRESSURE:**

1.0 bar MP

**FLOW RATE AT 3.0 BAR FLOW PRESSURE:**

4 l/min



tel: 01934 744466  
email: sales@vado.com  
www.vado.com

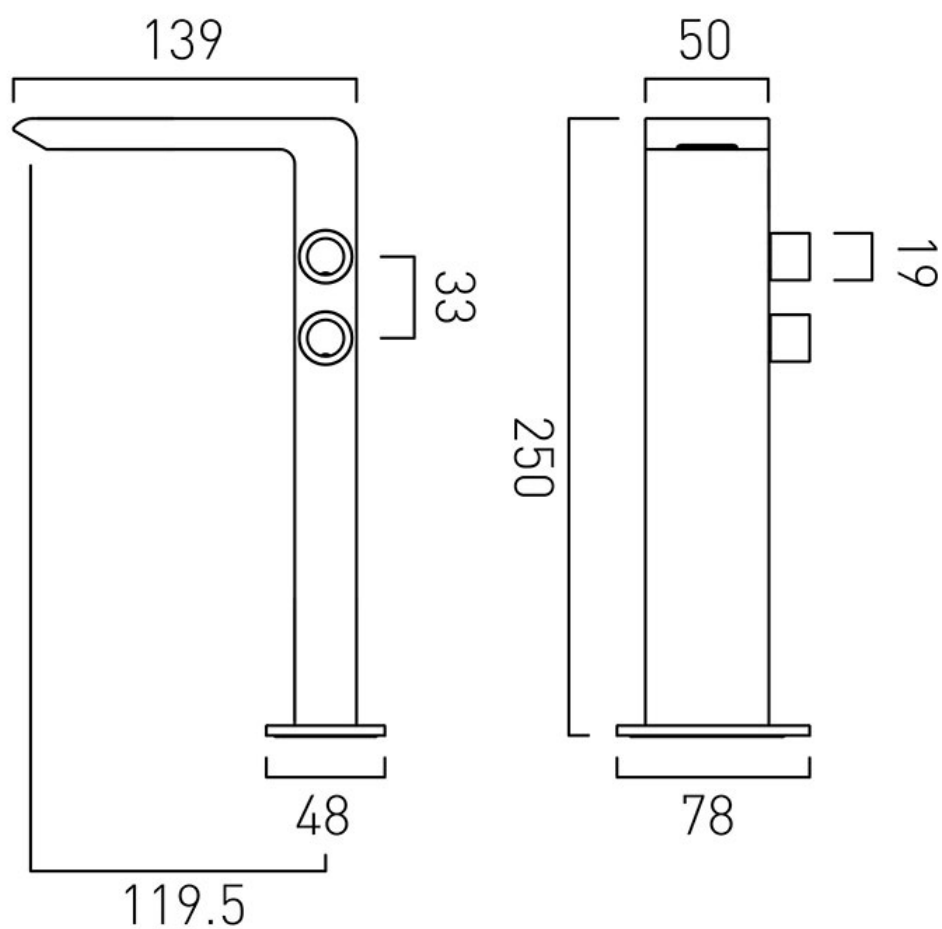
**where inspiration flows**  
taps | showering | accessories



# TECHNICAL DRAWING

**COLLECTION:** OMIKA

**PRODUCT CODE:** OMI-100E/SB-C/P



tel: 01934 744466  
email: sales@vado.com  
www.vado.com

**where inspiration flows**  
taps | showering | accessories

