

TECHNICAL DATA SHEET

Structure Wall Hung WC Pan - WH450S

TAVISTOCK

NO.	Description	Product Code	Fixings included	Gross Weight
1	Soft Close Toilet Seat	TS45 IS	YES	2.9KG
2	Wall Hung WC Pan	WH450S	YES	23.3KG

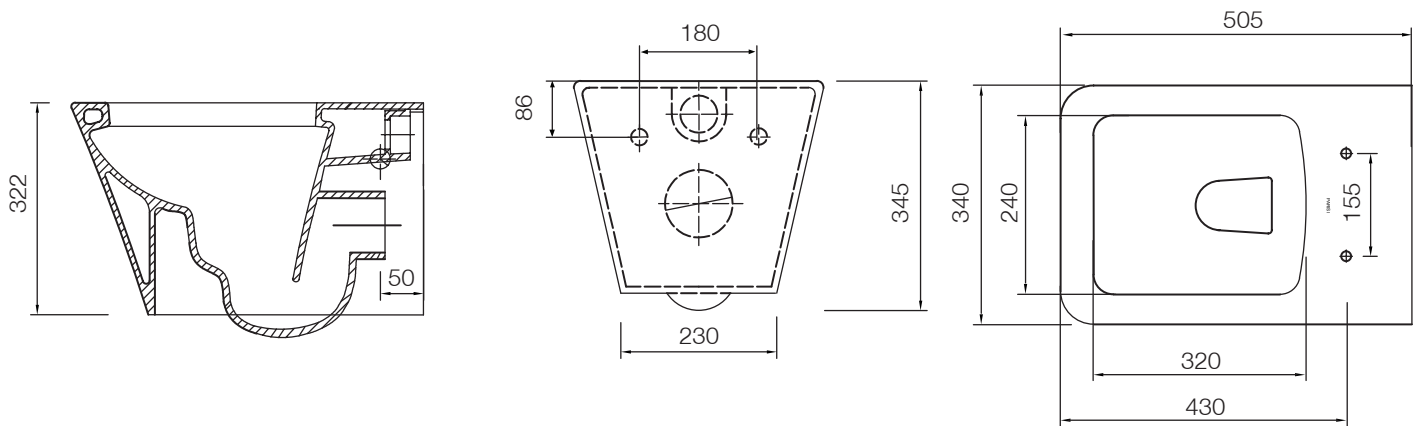


Spares Codes

Wall Hung Pan Fixings - SPI7013

DIMENSIONS

DIAGRAMS NOT TO SCALE | ALL DIMENSIONS IN MM TOLERANCE OF ± 5 MM
ALL PRODUCTS CONFORM TO BRITISH STANDARDS



*Dimensions are subject to change, customers are advised to measure actual product before commencing installation.
**Fixing point dimensions are for guidance only. The positions of fixings must be checked when product is received.

FAQs

Q - Do I need to use a wall hung frame?
A - Yes. It is essential that this product is installed onto a frame

Q - Does the pan use Concealed fixings?
A - Yes, concealed fixings supplied.

Q - Rim type?
A - Box rim

Key Dimensions Descriptions	Key Dimensions (mm)
Bowl Front to Back	320mm
Bowl Left to Right	240mm
Pan Height	322mm
Pan Overall front to Back	505mm