

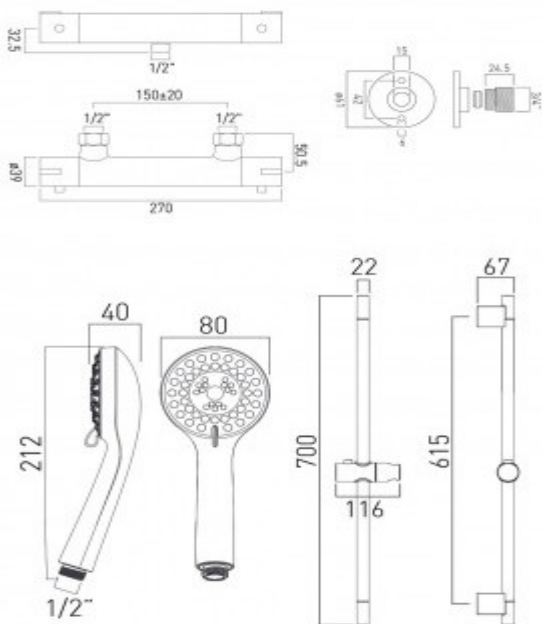


where inspiration flows
taps | showering | accessories

technical sheet
product code: PRIMABOX4/B-MF-C/P



technical drawing:



description: prima wall mounted exposed thermostatic shower valve 1/2" with multi-function 600mm slide rail shower kit and wall mounting brackets
thermostatic cartridge V-001A-PLA
flow cartridge DGS-002B-1/2

kit comprises:
ERI-MFSRK-DB-C/P
DGS-149-1/2-C/P
WG-049BRACK&SHR-C/P

finishes: chrome

Eco recommended flow regulator product code: FR-SHOWER/9-C/P

guarantee: 12 year guarantee

minimum operating pressure: 0.2 bar LP