

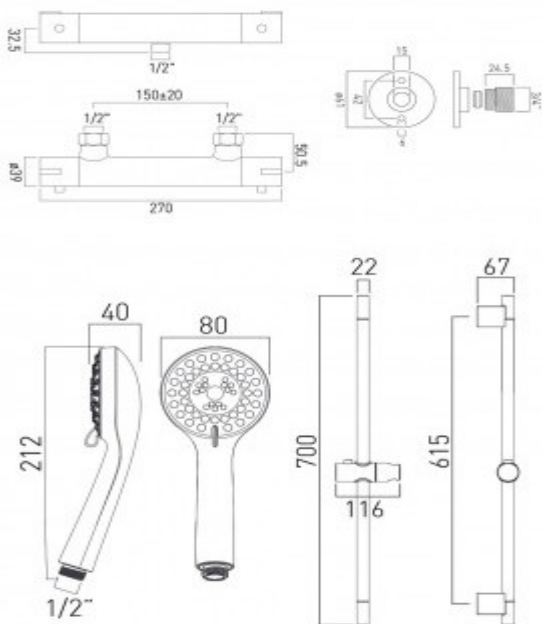


where inspiration flows  
taps | showering | accessories

technical sheet  
product code: PRIMABOX4/B-MF-C/P



technical drawing:



description: prima wall mounted exposed thermostatic shower valve 1/2" with multi-function 600mm slide rail shower kit and wall mounting brackets  
thermostatic cartridge V-001A-PLA  
flow cartridge DGS-002B-1/2

kit comprises:  
ERI-MFSRK-DB-C/P  
DGS-149-1/2-C/P  
WG-049BRACK&SHR-C/P

finishes: chrome

**Eco** recommended flow regulator product code: FR-SHOWER/9-C/P

guarantee: 12 year guarantee

minimum operating pressure: 0.2 bar LP