

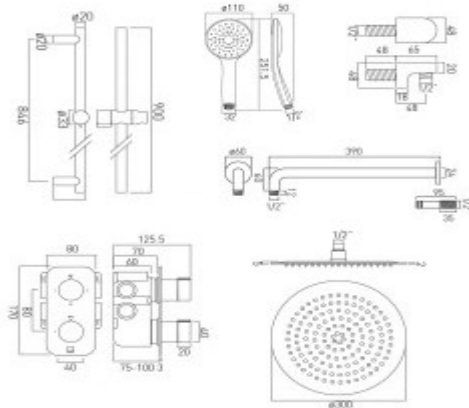


where inspiration flows  
taps | showering | accessories

technical sheet  
product code: TAB-1720/ALT-AS-CP



technical drawing:



description:

tablet altitude vertical  
• 2 outlet, 2 handle valve with all-flow function  
• aquablade 300mm round head with shower arm  
• atmosphere slide rail shower kit with air-injection single-function handset  
• life wall outlet  
minimum operating pressure 0.2 bar LP

kit comprises:  
TAB-148/2-ALT-C/P  
AQB-RO/30/SA/A-C/P  
ATM-SFSRK/2-C/P  
LIF-OUTLET-C/P

shower valve includes fittings for 1/2" and 3/4" pipework  
min-max wall mount 75-100mm (standard)  
optimum installation depth 88mm (standard)

finishes:

chrome

**ECb** <sup>H<sub>2</sub>O</sup> recommended flow regulator product code: FR-SHOWER/9-C/P (2 are required)

guarantee: 12 year guarantee

minimum operating pressure: 0.2 bar LP

certificates and awards:



cert no. BC1823/1116