

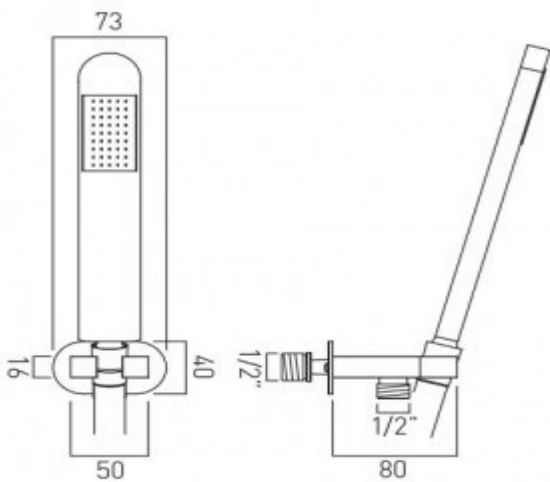


where inspiration flows
taps | showering | accessories

technical sheet
product code: LIF-SFMKWO-C/P



technical drawing:



description: single function mini shower kit
wall mounted
with hose and bracket with integral outlet
1/2" inlet
min-max wall mount 0-11mm

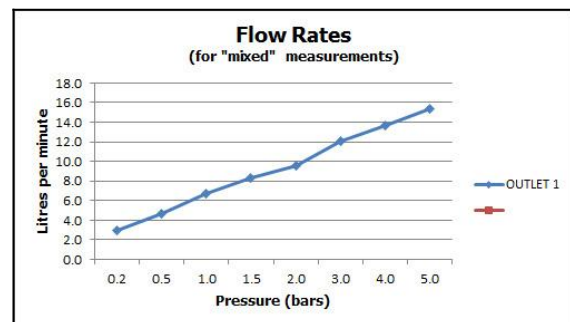
finishes: chrome

 recommended flow regulator product code: FR-SHOWER/9-C/P

guarantee: 12 year guarantee

minimum operating pressure: 1.0 bar MP

flow rate at 3.0 bar flow pressure: 12 l/min



'mixed measurements' refers to equal hot and cold water supply
flow rate for unregulated flow unless flow regulator fitted as standard