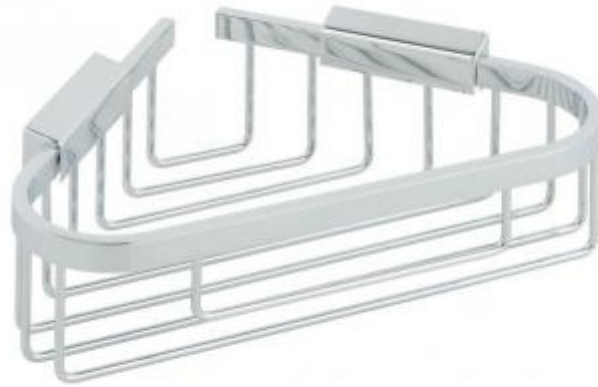


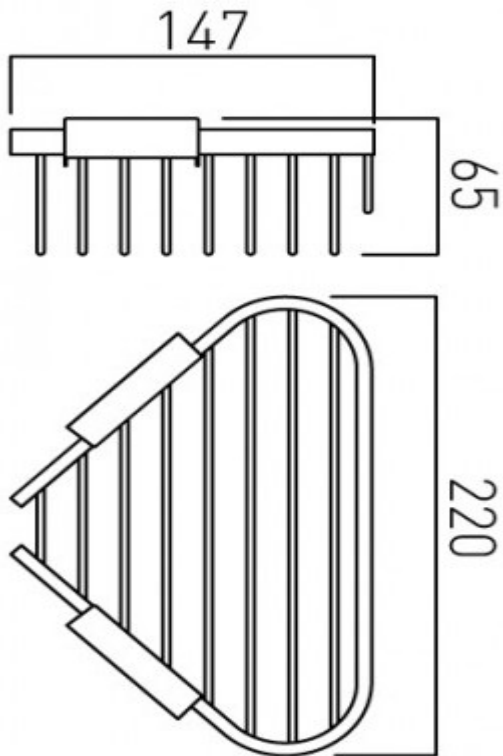


where inspiration flows  
taps | showering | accessories

technical sheet  
product code: BAS-2015M-C/P



technical drawing:



description: medium triangular corner basket  
wall mounted

finishes: chrome

guarantee: 12 year guarantee