

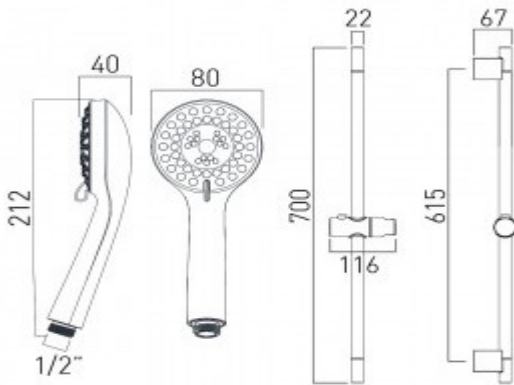


where inspiration flows
taps | showering | accessories

technical sheet
product code: ERI-MFSRK-DB-C/P



technical drawing:



description: eris multi-function slide rail shower kit with

- 3 function handset
- rub-clean
- 700mm slide rail
- 150cm shower hose
- hose retainer
- wall mounted

finishes: chrome

 recommended flow regulator product code: FR-SHOWER/9-C/P

guarantee: 12 year guarantee

minimum operating pressure: 0.2 bar LP

certificates and awards:



cert no. 1409958