

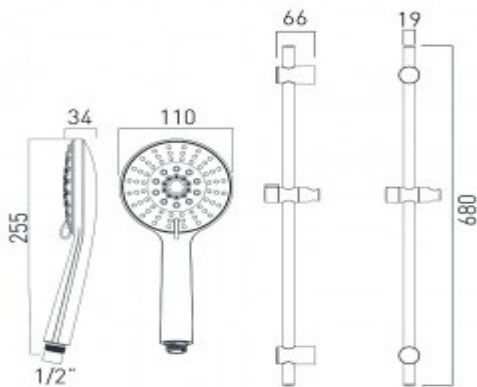


where inspiration flows
taps | showering | accessories

technical sheet
product code: EVO-MFSRK/B-DB-C/P



technical drawing:



description: evolve multi-function slide rail shower kit with

- smooth hose with
- 4 function handset
- rub-clean
- 680mm slide rail
- 150cm smoothflex anti-twist shower hose
- hose retainer
- wall mounted

finishes: chrome

Eco ^{H₂} recommended flow regulator product code: FR-SHOWER/9-C/P

guarantee: 12 year guarantee

minimum operating pressure: 0.2 bar LP

certificates and awards:



cert no. 1409958