

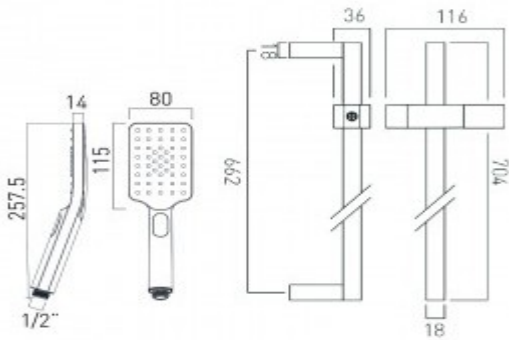


where inspiration flows
taps | showering | accessories

technical sheet
product code: NEB-MFSRK/SQ-DB-C/P



technical drawing:



description: nebula square multi-function slide rail shower kit with
• 3 function push-button control handset
• rub-clean
• 680mm slide rail
• 150cm shower hose
• wall mounted

finishes: chrome

 recommended flow regulator product code: FR-SHOWER/9-C/P

guarantee: 12 year guarantee

minimum operating pressure: 1.0 bar MP

certificates and awards:



cert no. 1409958