

SPECIFICATION SHEET

COLLECTION: ELEMENTS
PRODUCT CODE: ELE-148D-C/P



DESCRIPTION:

DX Elements
concealed 1 outlet, 2 handle thermostatic shower valve
wall mounted
with circular backplate
thermostatic cartridge V-D01C-PLA
flow cartridge C-301-RTC
2 x 3/4" female inlets
1 x 3/4" female outlet
includes 3/4" - 1/2" adaptors
inc. bleed valve for system flush on installation
min-max wall mount 70-95mm
optimum installation depth 82mm
minimum operating pressure 0.2 bar LP (shower)
minimum operating pressure 1.0 bar MP (bath)

FINISH:

Chrome

FLOW REGULATOR:

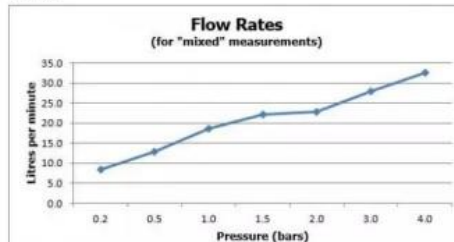
N

MINIMUM OPERATING PRESSURE:

0.2 bar LP (shower) 1.0 bar MP (bath)

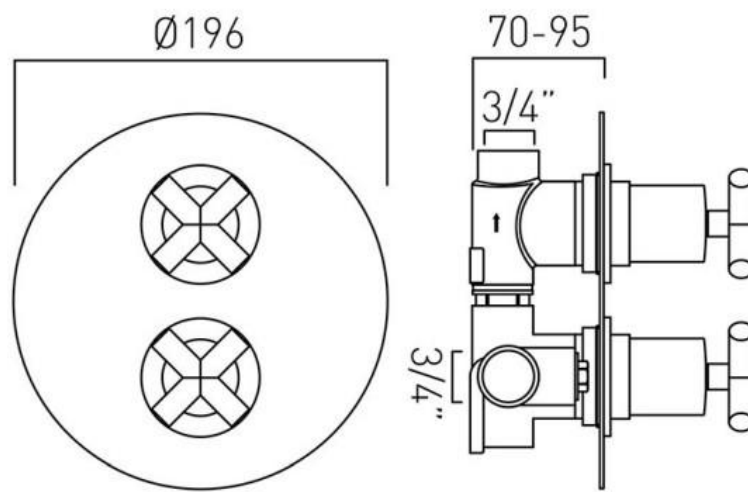
FLOW RATE AT 3.0 BAR FLOW PRESSURE:

30 l/min



TECHNICAL DRAWING

COLLECTION: ELEMENTS
PRODUCT CODE: ELE-148D-C/P



SPECIFICATION SHEET

COLLECTION: ELEMENTS
PRODUCT CODE: ELE-148D/SQ-CP



DESCRIPTION:

DX Elements
concealed 1 outlet, 2 handle thermostatic shower valve
wall mounted
with rectangular backplate
thermostatic cartridge V-001C-PLA
flow cartridge C-301-RTC
2 x 3/4" female inlets
1 x 3/4" female outlet
includes 3/4" - 1/2" adaptors
inc. bleed valve for system flush on installation
min-max wall mount 70-95mm
optimum installation depth 82mm
minimum operating pressure 0.2 bar LP (shower)
minimum operating pressure 1.0 bar MP (bath)

FINISH:

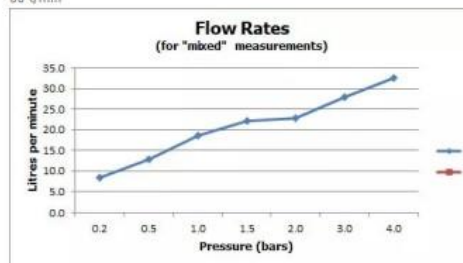
Chrome

MINIMUM OPERATING PRESSURE:

0.2 bar LP (shower) 1.0 bar MP (bath)

FLOW RATE AT 3.0 BAR FLOW PRESSURE:

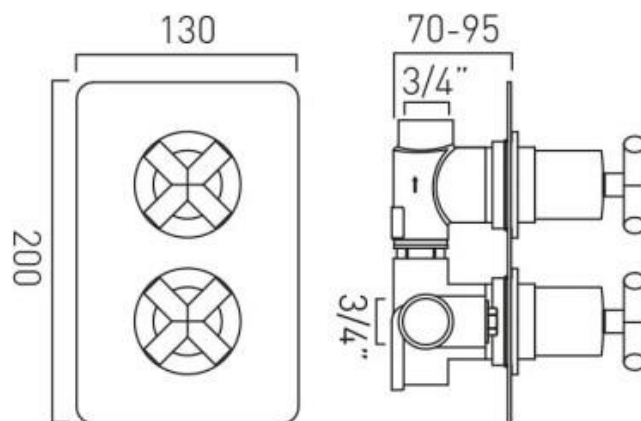
30 l/min



TECHNICAL DRAWING

COLLECTION: ELEMENTS

PRODUCT CODE: ELE-148D/SQ-CP



tel: 01934 744466
email: sales@vado.com
www.vado.com

where inspiration flows
taps | showering | accessories

