

# SPECIFICATION SHEET

**COLLECTION:** ELEMENTS

**PRODUCT CODE:** ELE-148D/3-C/P



**DESCRIPTION:**

DX Elements  
concealed 3 outlet, 2 handle thermostatic shower valve with integrated diverter  
wall mounted  
with circular backplate  
thermostatic cartridge V-001C-PLA  
diverter cartridge FL-804-33X/3X  
2 x 3/4" female inlets  
3 x 3/4" female outlets  
includes 3/4" - 1/2" adaptors  
inc. bleed valve for system flush on installation  
min-max wall mount 70-95mm  
optimum installation depth 82mm  
minimum operating pressure 0.2 bar LP (shower)  
minimum operating pressure 1.0 bar MP (bath)

**FINISH:**

Chrome

**FLOW REGULATOR:**

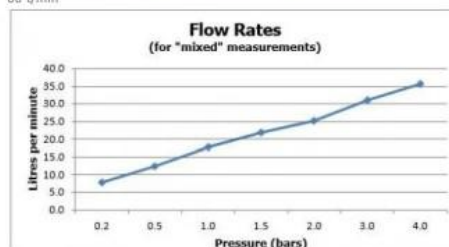
N

**MINIMUM OPERATING PRESSURE:**

0.2 bar LP (shower) 1.0 bar MP (bath)

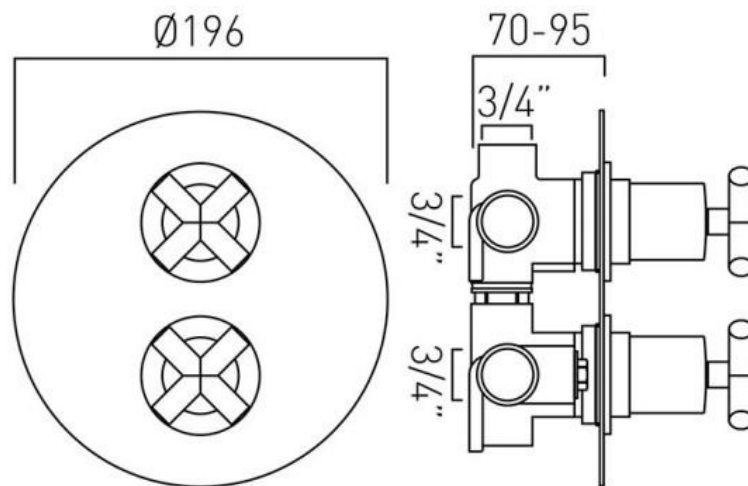
**FLOW RATE AT 3.0 BAR FLOW PRESSURE:**

30 l/min



# TECHNICAL DRAWING

**COLLECTION:** ELEMENTS  
**PRODUCT CODE:** ELE-148D/3-C/P



# SPECIFICATION SHEET

**COLLECTION:** ELEMENTS

**PRODUCT CODE:** ELE-148D/3/SQ-CP



**DESCRIPTION:**

DX Elements  
concealed 3 outlet, 2 handle thermostatic shower valve with integrated diverter  
wall mounted  
with rectangular backplate  
thermostatic cartridge V-001C-PLA  
diverter cartridge FL-804-33X/3X  
2 x 3/4" female inlets  
3 x 3/4" female outlets  
includes 3/4" - 1/2" adaptors  
inc. bleed valve for system flush on installation  
min-max wall mount 70-95mm  
optimum installation depth 82mm  
minimum operating pressure 0.2 bar LP (shower)  
minimum operating pressure 1.0 bar MP (bath)

**FINISH:**

Chrome

**MINIMUM OPERATING PRESSURE:**

0.2 bar LP (shower) 1.0 bar MP (bath)

**FLOW RATE AT 3.0 BAR FLOW PRESSURE:**

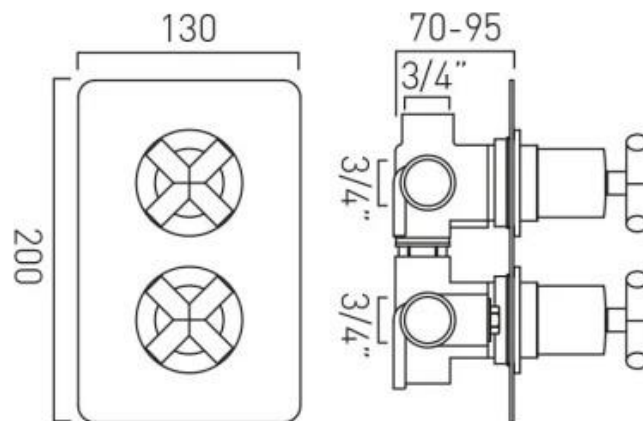
30 l/min



---

# TECHNICAL DRAWING

**COLLECTION:** ELEMENTS  
**PRODUCT CODE:** ELE-148D/3/SQ-CP



tel: 01934 744466  
email: sales@vado.com  
www.vado.com

**where inspiration flows**  
taps | showering | accessories

