

SPECIFICATION SHEET

COLLECTION: ZOO

PRODUCT CODE: ELE-DIVERTER/D-C/P



DESCRIPTION:

2 outlet diverter valve
deck mounted
ceramic cartridge ELE-DIVERTER/D-CART
2 x 3/4" male inlets
1 x 3/4" male outlet
1 x 3/8" male outlet
1 x 3/4" female to 3/4" male 90° elbow
deck mount drill hole diameter 46mm
minimum operating pressure 1.0 bar MP

FINISH:

Chrome

MINIMUM OPERATING PRESSURE:

1.0 bar MP



tel: 01934 744466
email: sales@vado.com
www.vado.com

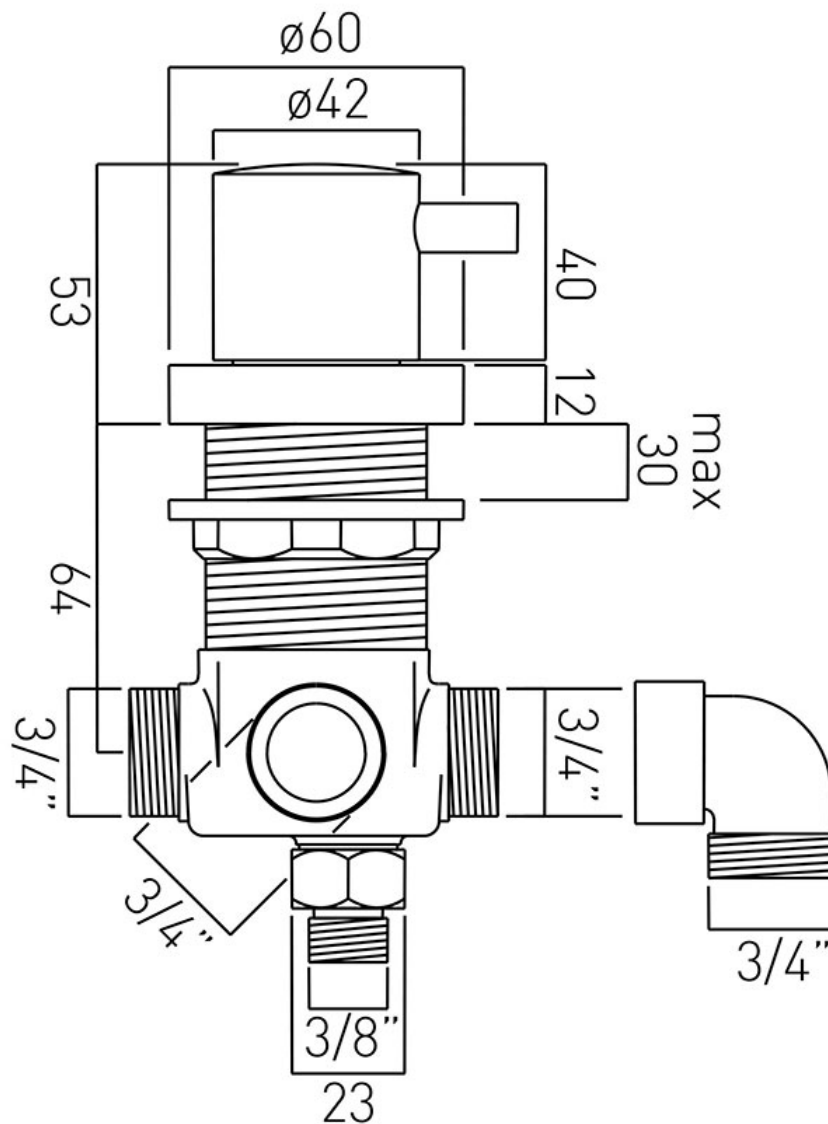
where inspiration flows
taps | showering | accessories



TECHNICAL DRAWING

COLLECTION: ZOO

PRODUCT CODE: ELE-DIVERTER/D-C/P



tel: 01934 744466
email: sales@vado.com
www.vado.com

where inspiration flows
taps | showering | accessories

