

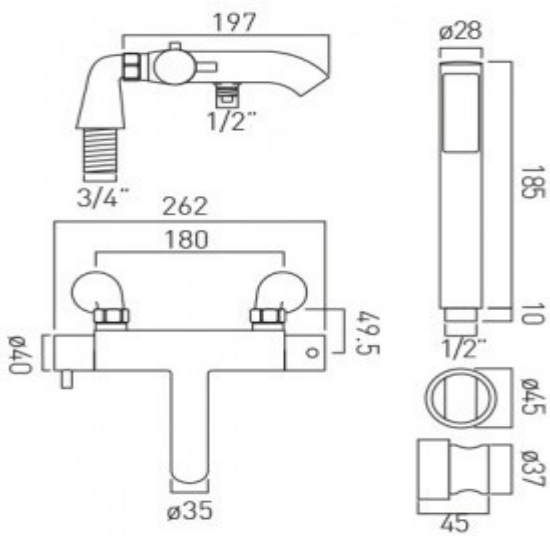


where inspiration flows
taps | showering | accessories

technical sheet
product code: CEL-131T+K-C/P



technical drawing:



description: 2 hole thermostatic bath shower mixer
pillar mounted
with shower kit
with water flow aerator
thermostatic cartridge V-001C-PLA
3/4" x 50mm threaded connection on legs
deck mount drill hole diameter 28mm

finishes: chrome

ECO recommended flow regulator product code: FR-SHOWER/9-C/P

guarantee: 12 year guarantee

minimum operating pressure: 1.5 bar MP