

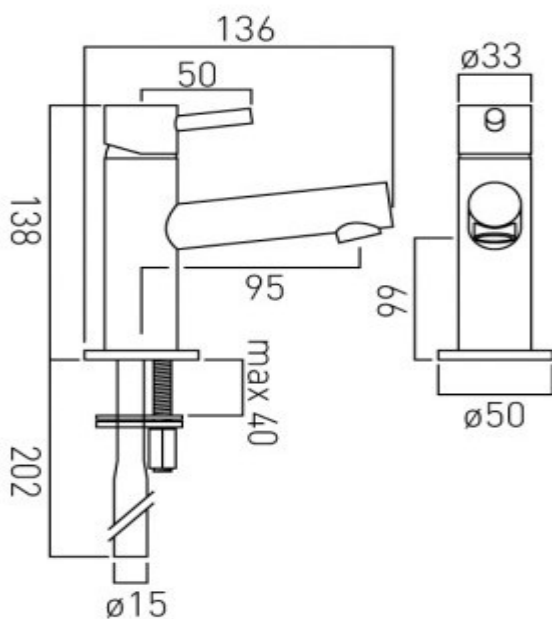


where inspiration flows  
taps | showering | accessories

technical sheet  
product code: ZOO-100M/SB-C/P



technical drawing:



**description:** mini mono basin mixer  
single lever  
deck mounted  
smooth bodied  
without universal basin waste  
with water flow aerator  
ceramic cartridge ZOO-100M-CAR  
2 x 1/2" nut x 300mm flexipipe connections  
deck mount drill hole diameter 28mm

**finishes:** chrome

**ECO** recommended flow regulator product code: FR-FLEXI/5-PLA

**guarantee:** 12 year guarantee

**minimum operating pressure:** 0.5 bar LP

**flow rate at 3.0 bar flow pressure:** 7 l/min