

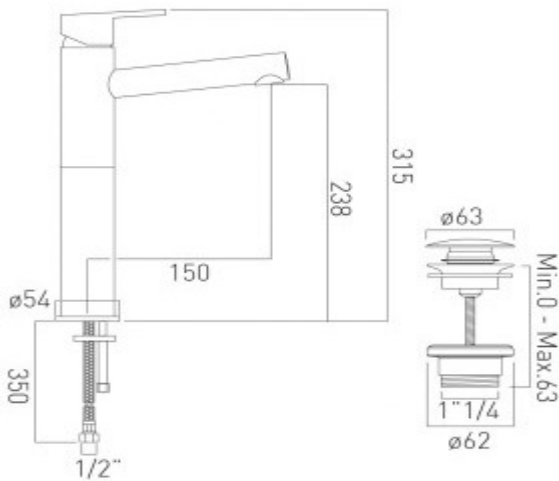


where inspiration flows
taps | showering | accessories

technical sheet
product code: SEN-100E/CC-C/P



technical drawing:



description: extended mono basin mixer
single lever
deck mounted
smooth bodied
with universal basin waste
with water flow aerator
with water flow straightener
ceramic cartridge CAR-K40A
2 x 1/2" nut x 500mm flexipipe connections
deck mount drill hole diameter 35mm

finishes: chrome

Eco recommended flow regulator product code: FR-100/5-PLA

guarantee: 12 year guarantee

minimum operating pressure: 0.2 bar LP