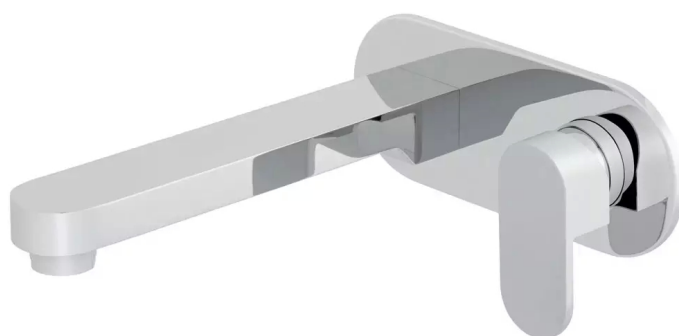


# SPECIFICATION SHEET

**COLLECTION:** LIFE

**PRODUCT CODE:** LIF-109S/A-C/P



**DESCRIPTION:**

2 hole basin mixer  
single lever  
wall mounted  
with 230mm spout  
with oval backplate  
with water flow aerator  
ceramic cartridge CAR-K35B  
2 x 1/2" inlets  
min-max wall mount 53-73mm  
minimum operating pressure 0.2 bar LP

**FINISH:**

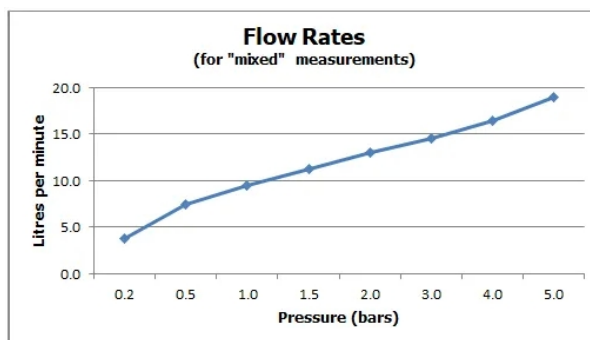
Chrome

**FLOW REGULATOR:**

FR-106/5-PLA

**MINIMUM OPERATING PRESSURE:**

0.2 bar LP



tel: 01934 744466  
email: sales@vado.com  
www.vado.com

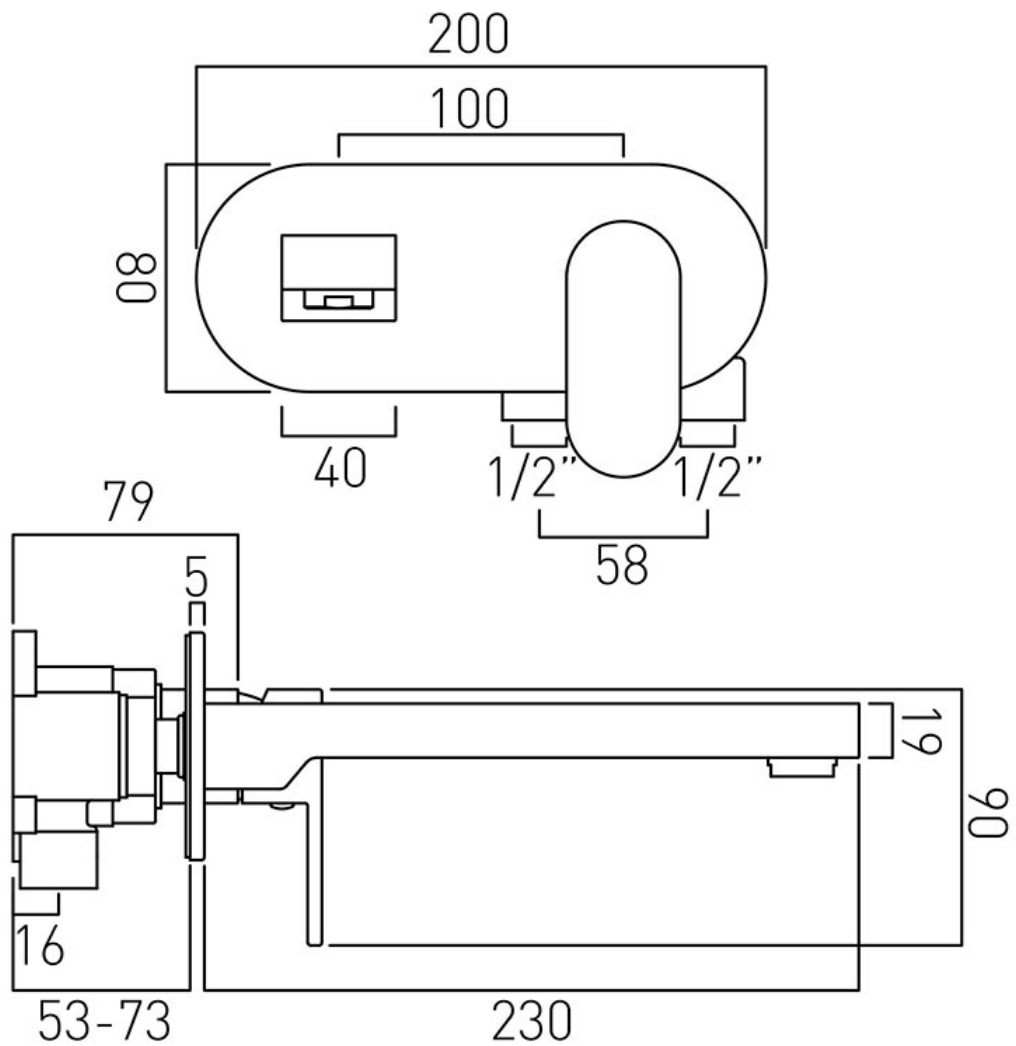
**where inspiration flows**  
taps | showering | accessories



# TECHNICAL DRAWING

**COLLECTION:** LIFE

**PRODUCT CODE:** LIF-109S/A-C/P



tel: 01934 744466  
email: [sales@vado.com](mailto:sales@vado.com)  
[www.vado.com](http://www.vado.com)

**where inspiration flows**  
taps | showering | accessories

