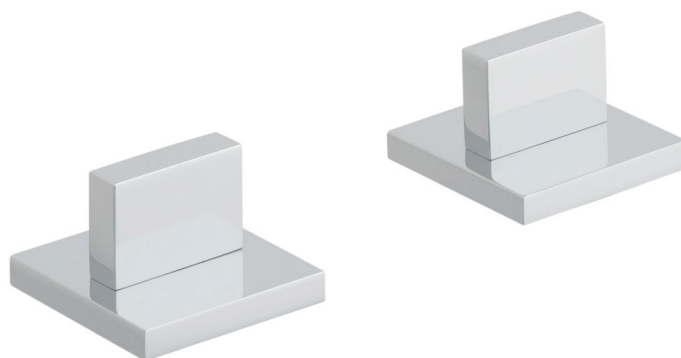


# SPECIFICATION SHEET

**COLLECTION:** GEO

**PRODUCT CODE:** GEO-142/PR-3/4-C/P



**DESCRIPTION:**

pair of valves 3/4"  
deck mounted  
cold ceramic cartridge C-302-RTC  
hot ceramic cartridge C-302-LTC  
3/4" x 10mm thread length male inlet  
3/4" x 10mm thread length male outlet  
min-max wall mount 25mm  
deck mount drill hole diameter 33mm  
min-max bath thickness 6-25mm  
minimum operating pressure 0.2 bar LP

**FINISH:**

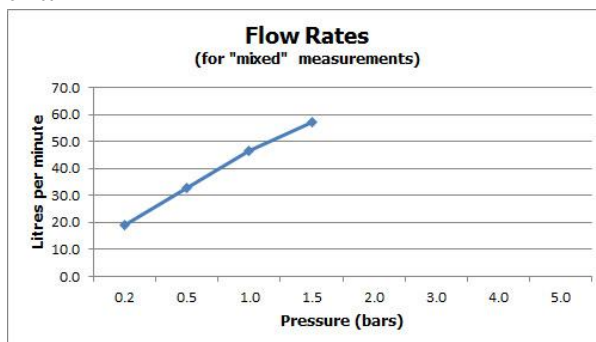
Chrome

**FLOW REGULATOR:**

N

**MINIMUM OPERATING PRESSURE:**

0.2 bar LP



tel: 01934 744466  
email: sales@vado.com  
www.vado.com

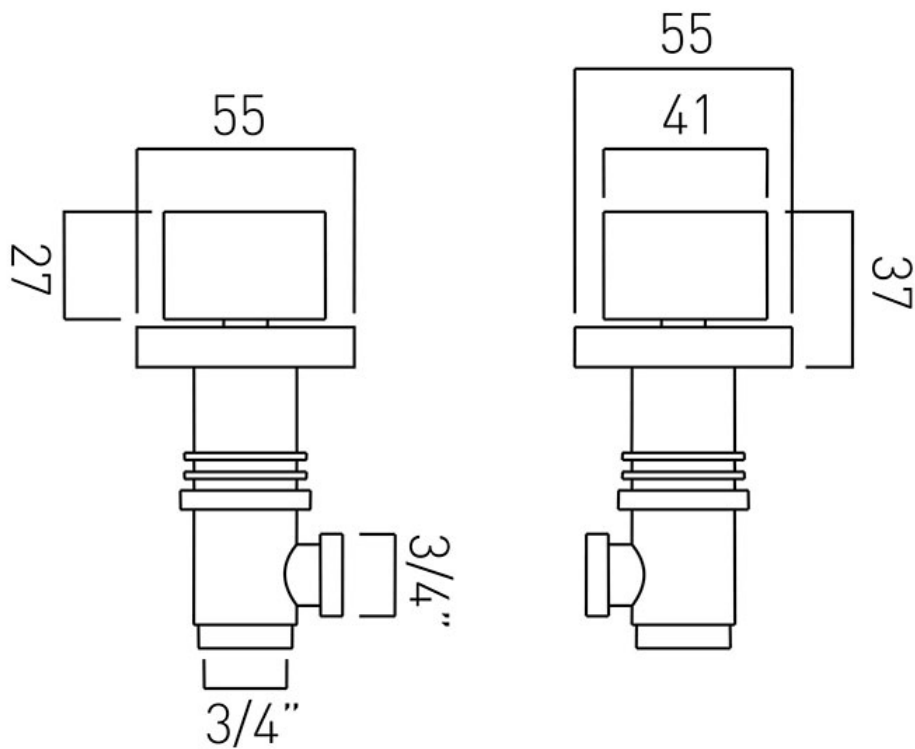
**where inspiration flows**  
taps | showering | accessories



# TECHNICAL DRAWING

**COLLECTION:** GEO

**PRODUCT CODE:** GEO-142/PR-3/4-C/P



tel: 01934 744466  
email: sales@vado.com  
www.vado.com

**where inspiration flows**  
taps | showering | accessories

