

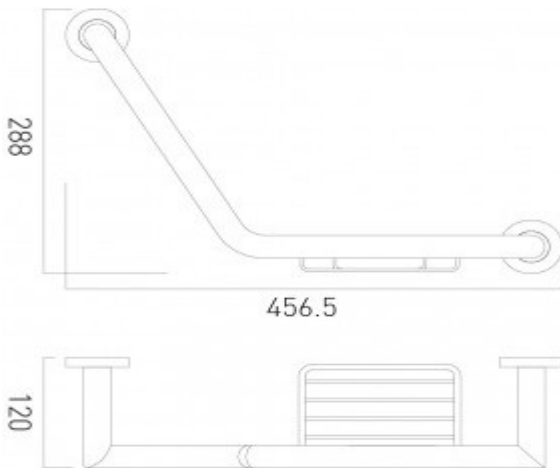


where inspiration flows
taps | showering | accessories

technical sheet
product code: SPA-1802-C/P



technical drawing:



description: spa angled grab rail with basket 456mm (18")

finishes: chrome

guarantee: 12 year guarantee