

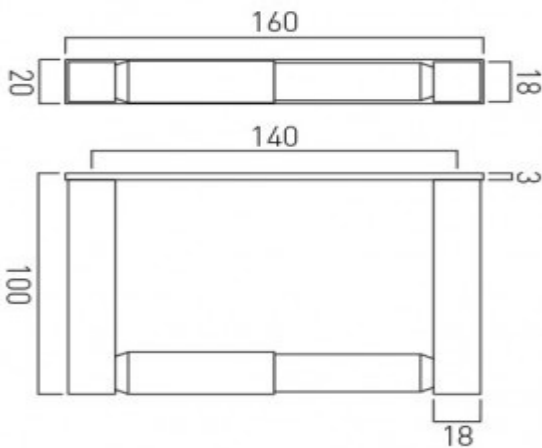


where inspiration flows
taps | showering | accessories

technical sheet
product code: SQU-180A-C/P



technical drawing:



description: square closed paper holder wall mounted

finishes: chrome

guarantee: 12 year guarantee