

SPECIFICATION SHEET

COLLECTION:

PRODUCT CODE: WG-81389/SQ-C/P



DESCRIPTION:

push type bath filler waste and overflow
2 x 1/2" inlets (one is blanked off)
1.1/2" x 10mm threaded outlet connection
min-max overflow bath thickness 1mm-21mm
minimum operating pressure 1.0 bar MP

FINISH:

Chrome

MINIMUM OPERATING PRESSURE:

1.0 bar MP



tel: 01934 744466
email: sales@vado.com
www.vado.com

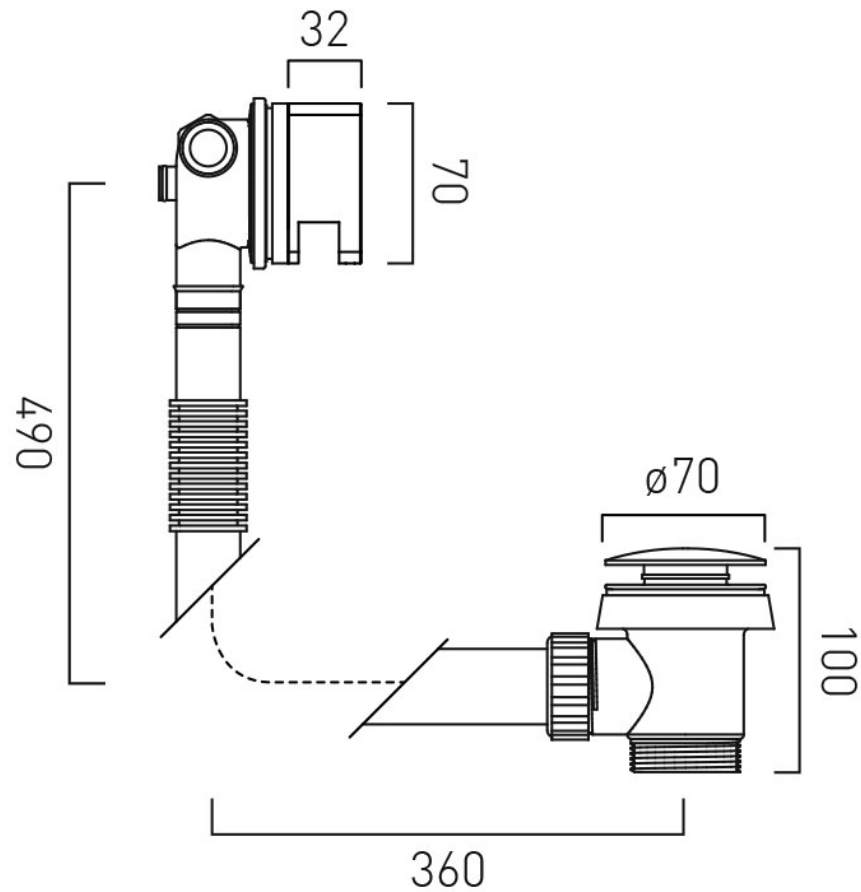
where inspiration flows
taps | showering | accessories



TECHNICAL DRAWING

COLLECTION:

PRODUCT CODE: WG-81389/SQ-C/P



tel: 01934 744466
email: sales@vado.com
www.vado.com

where inspiration flows
taps | showering | accessories

