

# SPECIFICATION SHEET

**COLLECTION:** EDIT

**PRODUCT CODE:** EDI-100/CC-C/P



**DESCRIPTION:**

mono basin mixer  
single lever  
deck mounted  
smooth bodied  
with universal basin waste  
ceramic cartridge C010-N25  
2 x 1/2" nut x 400mm flexipipe connection  
deck mount drill hole diameter 35mm  
minimum operating pressure 1.0 bar MP

**FINISH:**

Chrome

**FLOW REGULATOR:**

flow regulator fitted as standard

**MINIMUM OPERATING PRESSURE:**

1.0 bar MP

**FLOW RATE AT 3.0 BAR FLOW PRESSURE:**

5 l/min



tel: 01934 744466  
email: sales@vado.com  
www.vado.com

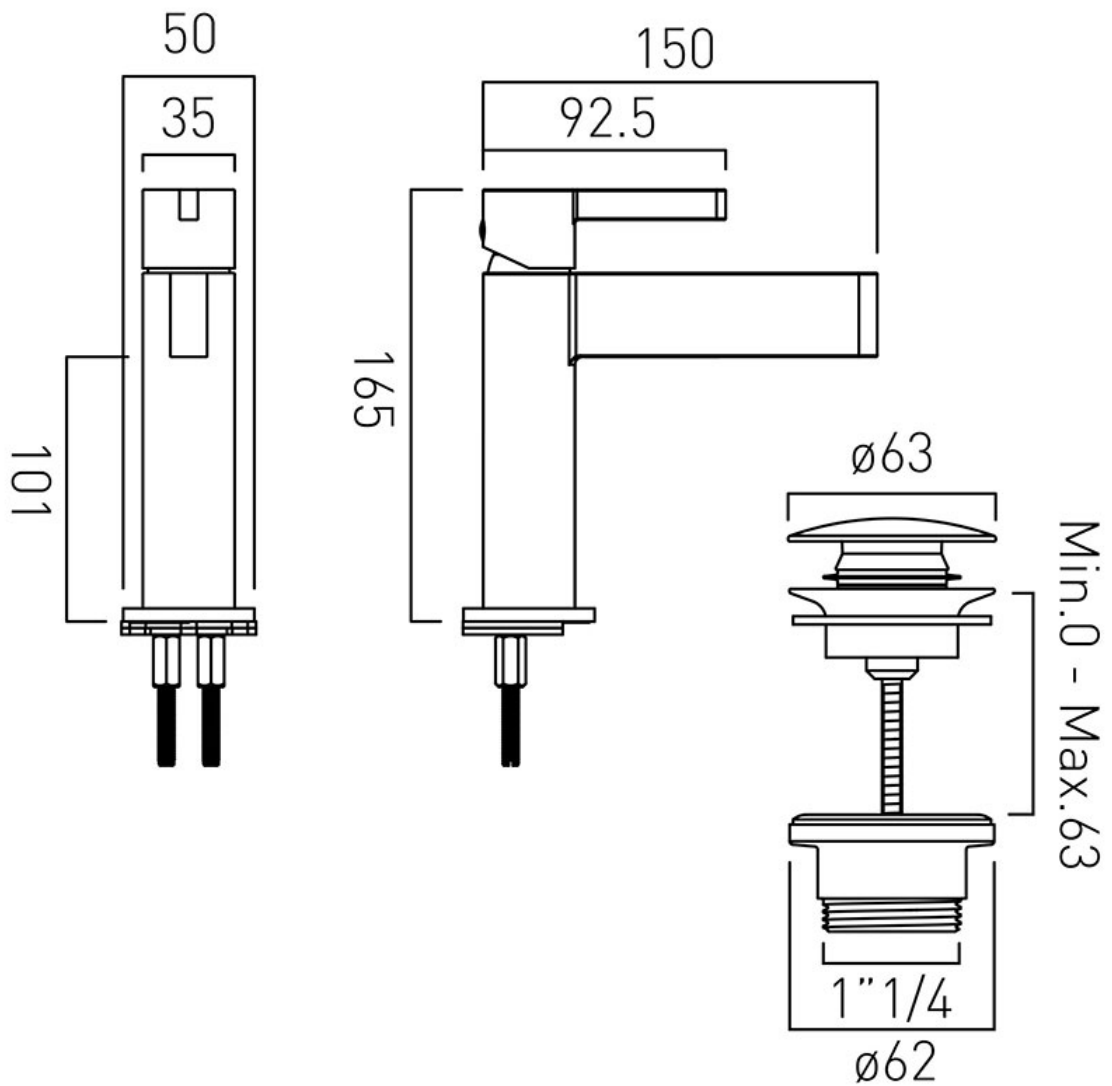
**where inspiration flows**  
taps | showering | accessories



# TECHNICAL DRAWING

COLLECTION: EDIT

PRODUCT CODE: EDI-100/CC-C/P



tel: 01934 744466  
email: sales@vado.com  
www.vado.com

**where inspiration flows**  
taps | showering | accessories

