

Clifton

Heated Towel Rail

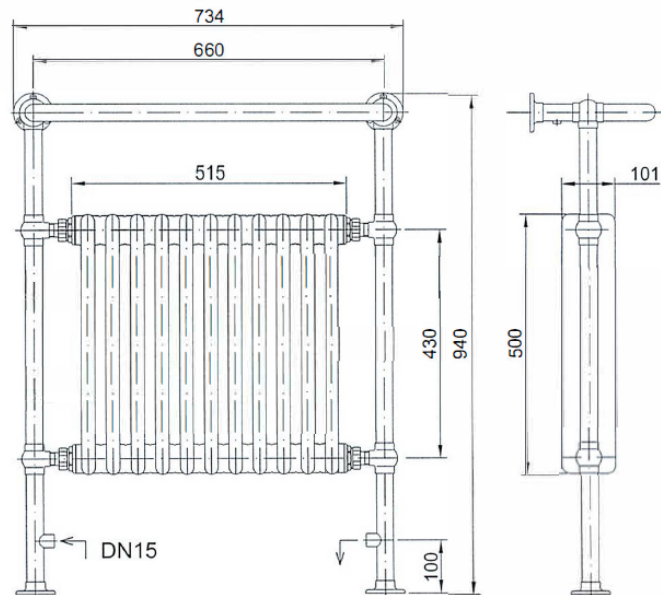
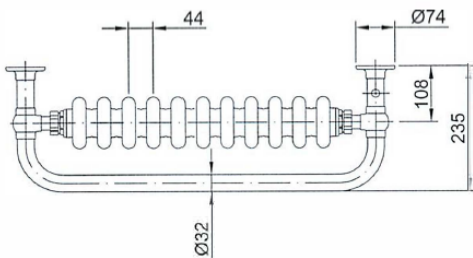
Product Specification

| | |
|--------------------------------------|---|
| Product Codes & Finishes: | AHC73 (Chrome/White) AHA73 (Vintage Gold/White) |
| Product Type: | Classic |
| Construction: | Body is of Steel Construction and is designed to conform to BS EN 442 |
| Supply: | Suitable for closed central heating systems |
| Output: | 2340 BTU (686 Watts) |
| Valve Centres: | 600mm |
| Dimensions for Fitting: | 940 (H) mm, 674 (W) mm, 128 (D) mm |



Additional Information

- Chrome Plated to BS EN 248
- Includes Valves in Chrome & Gold Finish
- Suitable for Closed Central Heating Systems Only
- 5 Year Guarantee



Technical Advice: For further information please call 0844 701 8503 or email technical@heritagebathrooms.com.

Guarantee: 5 Year Guarantee covering manufacturing faults.