

Hartlebury Exposed Thermostatic Dual Control Shower Valve with Premium Fixed Riser Kit

Product Specification

Product Code: SHDDUAL07 (Chrome)
SHDDUAL08 (Vintage Gold)

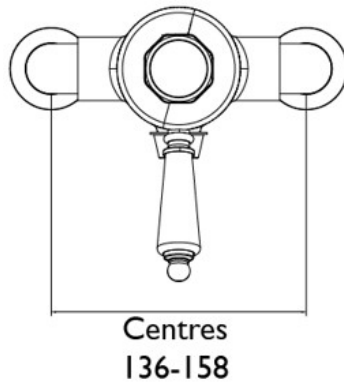
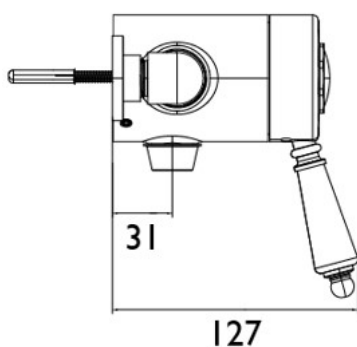
Product Type: Thermostatic Mixer Shower

Maximum Temperature: Pre-set to 42°C

Inlet Connections: 15mm Compression

Working Pressures: Min 0.1 Bar, Max 5.0 Bar

Dimensions for Fitting: 136-158mm Inlet Centres
1140 (H) mm



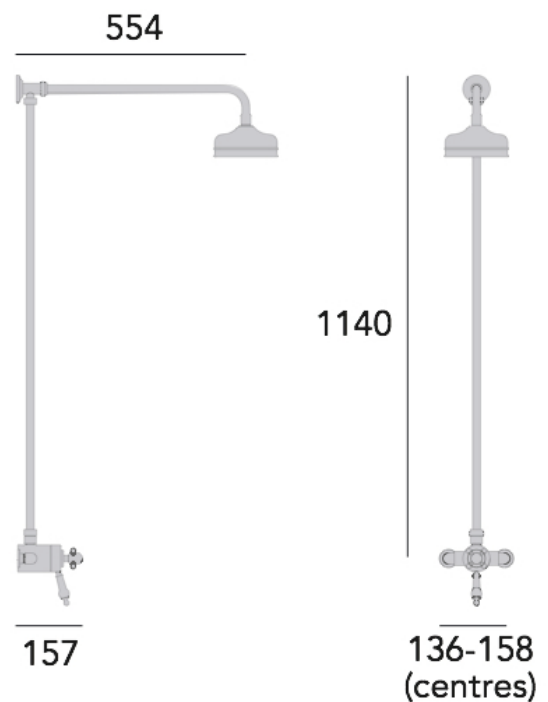
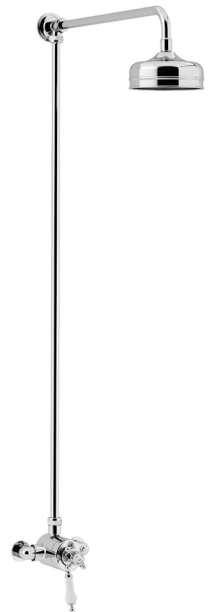
Additional Information

- Chrome Plated to BS EN 248
- Supplied with 2 x 8 l/min. flow regulators
- Adjustable inlet centres mean you can use existing pipework with centres measuring anything between 136mm and 158mm.
- Factory fitted regulators means this is a water saving shower
- Matching taps available

Guarantee: 5 Years covering all manufacturing faults

Technical Advice: For further information please call 0330 026 8503 or email technical@heritagebathrooms.com.

System Pressure (Bar)	0.1	0.2	0.5	1	2	3	5
With Flow Regulators	-	-	13	14.1	14.2	15	15.5
Without Flow Regulators	6.6	10.6	18.1	26.5	-	-	-



Heritage Bathrooms, Birch Coppice Business Park, Dordon, Tamworth, B78 1SG
 Telephone: 0844 701 8501 Facsimile: 0844 701 8502
 Web Site: www.heritagebathrooms.com Email: technical@heritagebathrooms.com