

# MStone

## Rectangular Tray



Adjustable legs & tray panel kit



Graduated adjustable leg system



90mm fast flow waste



Top & bottom acrylic capped ABS Layer with Stone Resin

### Features:

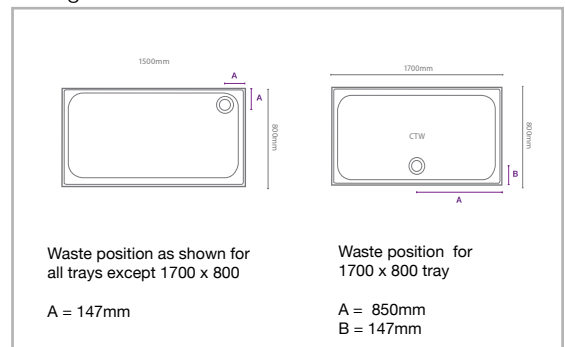
- Double Skinned for added rigidity
- 50mm high to achieve minimalist design
- 135mm high including tray panel set
- ABS capped acrylic sheets with anti-bacterial properties
- Comes with 90mm fast flow waste
- More than 30 sizes available
- Available with tray panel kits
- Shower tray lifetime guarantee\*

\*covers manufacturing defects only

MStone Rectangular Trays (including waste)

Size, mm	Codes	Tray Panel Kit No.
900 x 760	D976RT	4
1000 x 800	D108RT	4
1100 x 760	D1176RT	3
1100 x 800	D118RT	4
1200 x 700	D127RT	4
1200 x 760	D1276RT	4
1200 x 800	D128RT	4
1200 x 900	D129RT	4
1400 x 800	D148RT	3
1400 x 900	D149RT	3
1500 x 700	D157RT	3
1500 x 800	D158RT	3

### Configuration:



MStone Rectangular Trays (including waste)

Size, mm	Codes	Tray Panel Kit No.
1500 x 900	D159RT	3
1600 x 800	D168RT	3
1600 x 900	D169RT	3
1685 X 700	D177RT	3
1680 x 760	D1776RT	3
1700 x 800	D178RT	3

### Rectangle Tray Panel Kits - Including Legs

Size, mm	Codes	Tray Panel Kit No.
1685 x 900	DRK3	3
1200 x 900	DRK4	4

### Waste Complete Only

Size, mm	Codes
Waste Complete	DWAS