

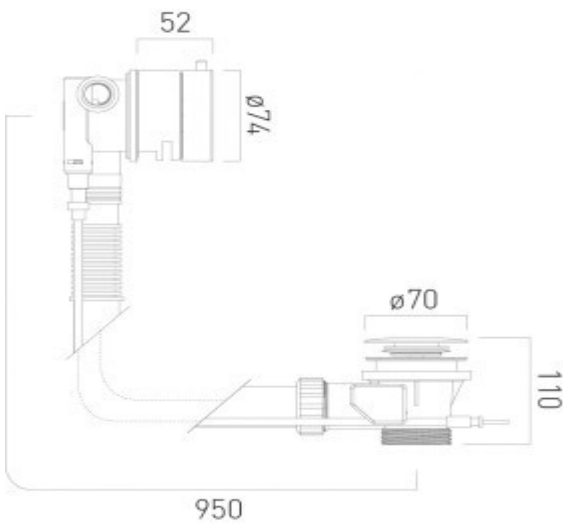


where inspiration flows  
taps | showering | accessories

technical sheet  
product code: WG-81552-C/P



technical drawing:



**description:** bath filler waste and overflow  
2 x 1/2" inlets  
1.1/2" x 10mm threaded outlet connection  
min-max overflow bath thickness 1mm-11mm

**finishes:** chrome

**guarantee:** 12 year guarantee

**minimum operating pressure:** 1.0 bar MP