

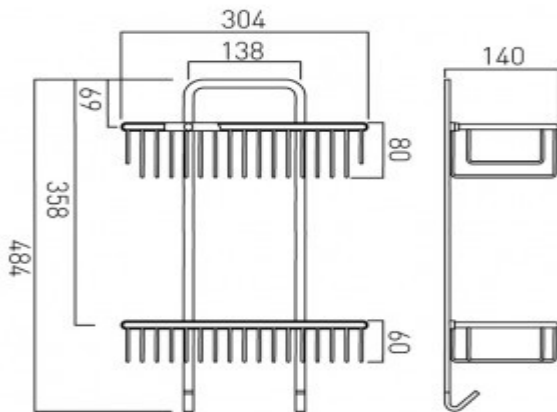


where inspiration flows
taps | showering | accessories

technical sheet
product code: BAS-2003-C/P



technical drawing:



description: large rectangular double basket
wall mounted

finishes: chrome

guarantee: 12 year guarantee