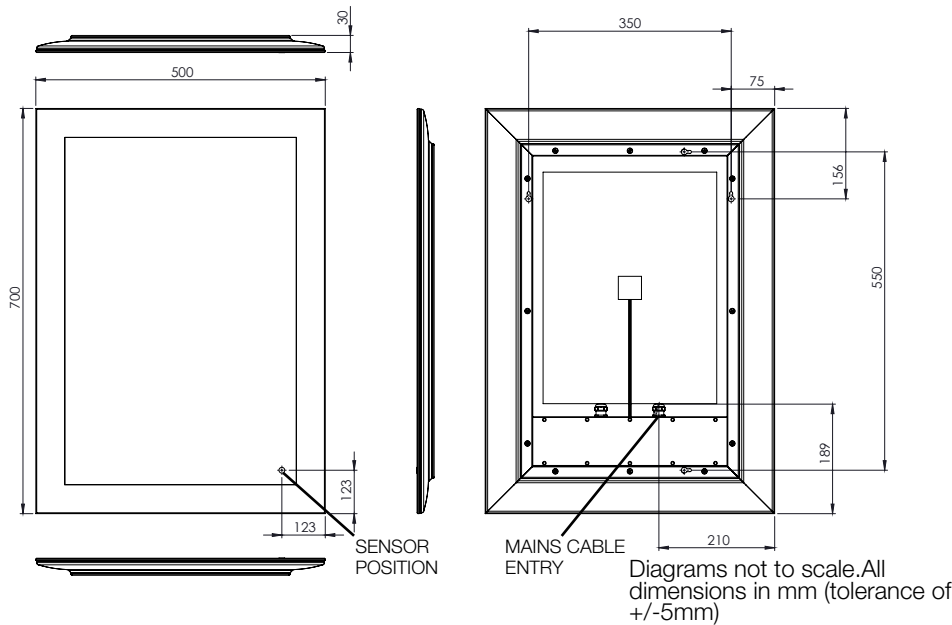


Technical Data Sheet

REFORM - SLE540

Whats in the box: 1x Mirror + Fixings

TAVISTOCK



Materials

Frame: Extruded aluminium/Painted steel

Mirror: Mirror Glass

**Dimensions are subject to change, customers are advised to measure actual product before commencing installation.

***Fixing point dimensions are for guidance only/the positions of wall fixing must be checked when product is received.

FAQ's

- Q: Can the mirror be hung portrait and landscape?
A: Yes.
- Q: what is the thickness of the mirror glass?
A: 5mm.
- Q: Is the mirror IP44 rated?
A: Yes.
- Q: What size fuse should I use?
A: We cannot recommend fuse sizes as each installation is different a qualified Electrician should be consulted in accordance with IEE7671.
- Q: What is the total power consumption?
A: 33W
- Q: Does the mirror have an energy rating?
A: The energy rating of LED's used in this product are rated as 'A'.
- Q: What is the colour of the light and the Kelvin rating?
A: 6000k (Daylight white)
- Q: What is the wattage of the lights?
A: 14W.
- Q: Where is the IR sensor/rocker switch located?
A: See above drawing.
- Q: Can the LED lighting be replaced?
A: Yes, we offer spares and instructions on how to replace them.
- Q: Can the IR sensor be replaced?
A: Yes.
- Q: What is the output of the demister pad?
A: 19W
- Q: What are the dimensions of the demister pad?
A: 300 x 400mm.
- Q: How do I turn on the demister pad?
A: The demister pad is on when the light on the mirror is turned 'On'.

All Illuminated mirrors are supplied with approximately 500mm of mains cable. This can be removed for the customer to make their own connection to their mains supply. There is ample storage for excess cable in the back of the unit.