

TECHNICAL DATA SHEET

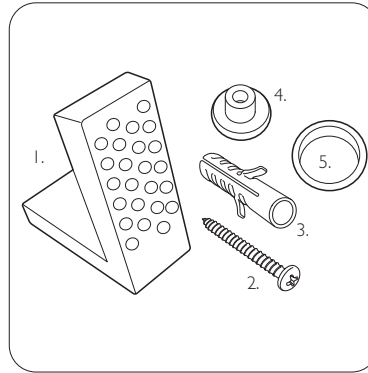
Orbit Back To Wall WC Pan - BTW250S

TAVISTOCK

NO.	Description	Product Code	Fixings included	Gross Weight
1	Soft Close Toilet Seat	TS250S	YES	2KG
2	Rimless Back to Wall WC	BTW250S	YES	30KG



Floor Fixings

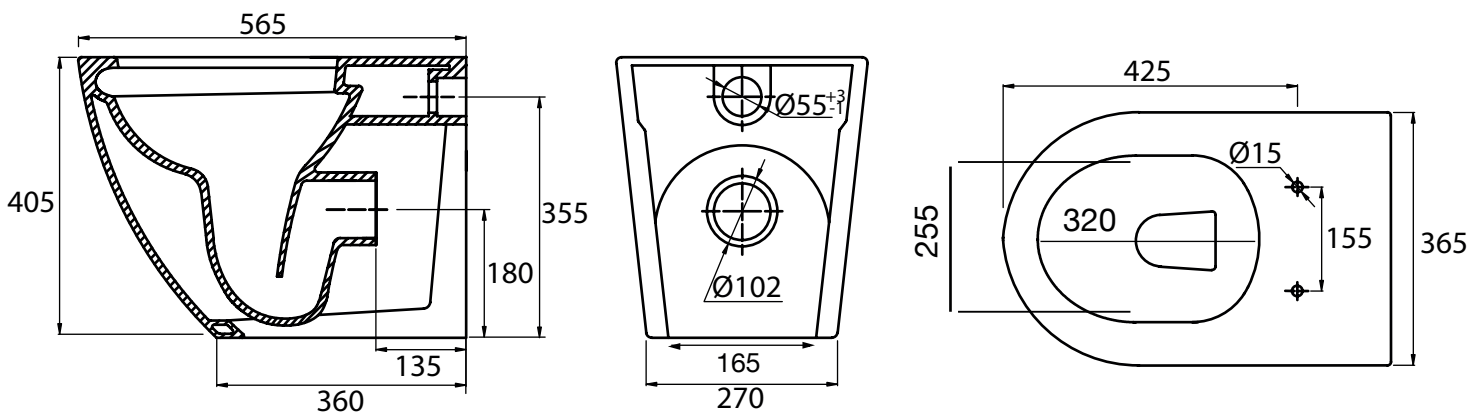


- 1. 2x Nylon Floor Bracket
- 2. 4x Stainless Steel Screws
- 3. 2x Nylon Screw Plugs
- 4. 2x Nylon Screw Collars
- 5. 2x Nylon Collars Caps (Metalic Finish)

Spare Code: SP14211

DIMENSIONS

DIAGRAMS NOT TO SCALE | ALL DIMENSIONS IN MM TOLERANCE OF ± 5MM
ALL PRODUCTS CONFORM TO BRITISH STANDARDS



*Dimensions are subject to change, customers are advised to measure actual product before commencing installation.

**Fixing point dimensions are for guidance only. The positions of fixings must be checked when product is received.

FAQs

Q - Are there any other compatible seats?

A - No

Q - Which concealed cistern do I use?

A - Torrent (TR9001) or Cascade (TR9002), depending on whether the water feed is bottom or side access. An In-Wall cistern (TR9009) is available for tiled-in installations.

Q - Rim type?

A - Rimless.

Key Dimensions Descriptions	Key Dimensions (mm)
Front to Back Footprint	360mm
Left to Right Footprint	270mm
Bowl Front to Back	320mm
Bowl Left to Right	255mm
Pan Height	405mm
Pan Overall front to Back	565mm
Centre Flush Inlet to Floor	355mm
Centre Waste Outlet to Floor	180mm
Width of Void	165mm
Is there a Ceramic Brace Bar	Yes
Distance from Spigot to back of Pan	135mm