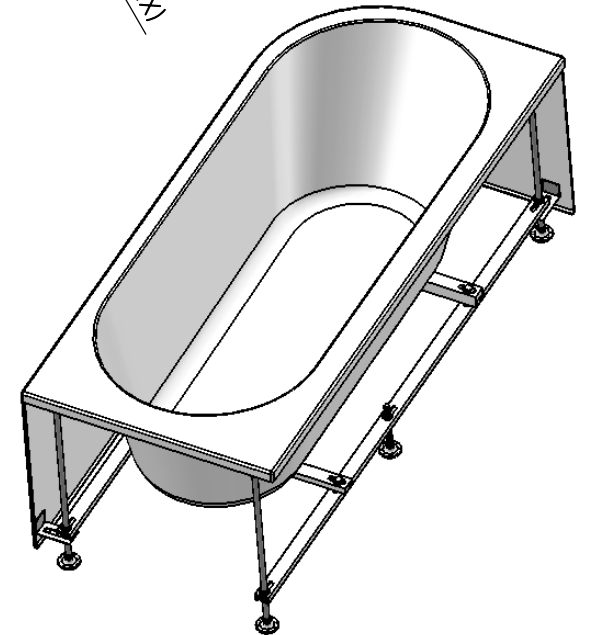
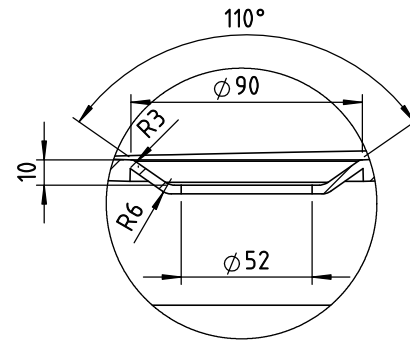
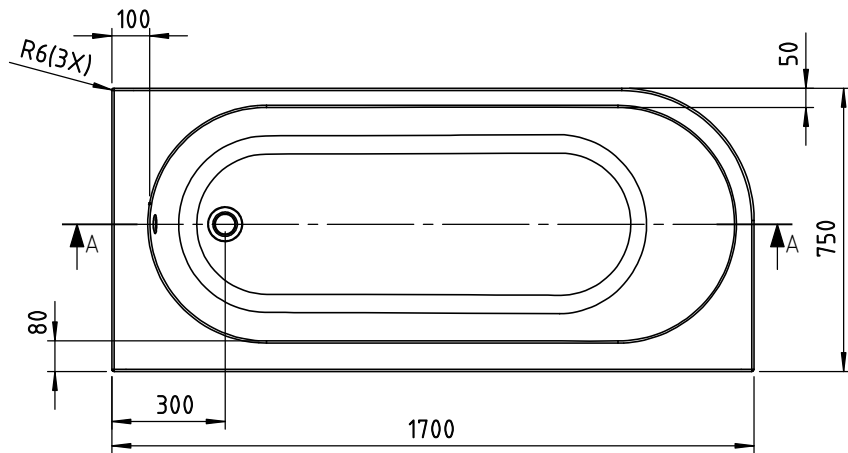
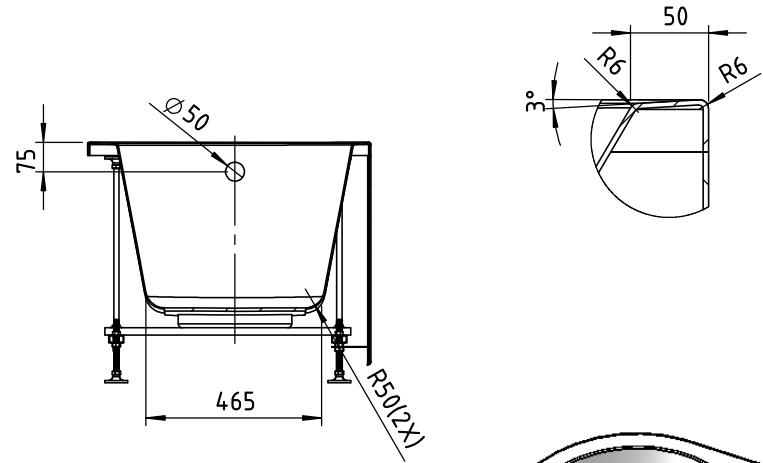
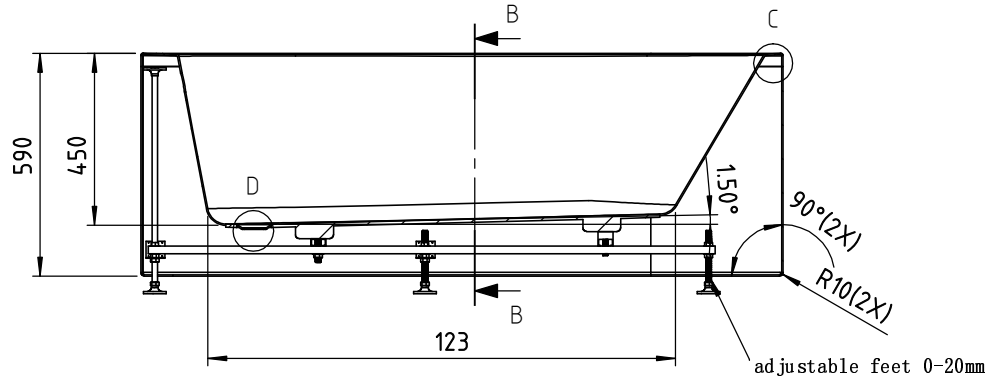


| Rev | Description      | Signature | Date |
|-----|------------------|-----------|------|
|     | Ancorner RH Bath |           |      |
|     |                  |           |      |



THE BATH MAKERS

bcdesigns